

STANDARD EQUIPMENT

ISO standard cabin

- Cabin ROPS(ISO 3471)
- FOPS(ISO 3449)
- TOPS(ISO 12117)
- All-weather steel cab with all-around visibility
- Safety glass windows
- Rise-up type windshield wiper
- Sliding fold-in front window
- Sliding side window
- Lockable door
- Accessory box & Ash-tray

Centralized monitoring

- Engine speed
- Gauges
- Fuel level gauge

- Engine coolant temperature gauge
- Warning
- Fuel level
- Engine oil pressure
- Engine coolant temperature
- Hyd. oil temperature
- Low battery
- Air cleaner closing
- Fuel prefilter

- Door and cab locks, one key
- AM/FM radio and CD/MP3 with remote control
- Two outside rear view mirrors
- Fully adjustable suspension seat with seat belt
- Console box tilting system(LH.)
- Four front working lights

- Electric horn
- Battery (1 x 12 V x 100 AH)
- Battery master switch
- 12 volt power supply
- Removable clean out screen for radiator
- Automatic swing brake
- Removable reservoir tank
- Water separator, fuel line
- Counterweight
- Mono boom (3.0 m, 9'10")
- Arm (1.6 m, 5' 3")
- Track shoes (380 mm, 15")
- Track rail guard
- Starting aid (air grid heater) cold weather
- Viscous fan clutch

OPTIONAL EQUIPMENT

- Air-conditioner & heater
- Fuel filler pump (35l/min, 9.2 US gpm)
- Beacon lamp
- Single acting piping kit (breaker, etc)
- Double acting piping kit (clamshell, etc)
- Accumulator, work equipment lowering

- Electric transducer
- Travel alarm
- Quick coupler
- Rubber crawler (400mm, 16")
- Narrow bucket (0.07m³, 0.09yd³)
- Long arm (1.9m, 6'3")

- Tool kit
- Operator suit
- Mechanical suspension seat with heater
- Cabin front, rear work lamp

* Standard and optional equipment may vary. Contact your Hyundai dealer for more information. The machine may vary according to International standards.

* The photos may include attachments and optional equipment that are not available in your area.

* Materials and specifications are subject to change without advance notice.

* All imperial measurements rounded off to the nearest pound or inch.

PLEASE CONTACT

www.hyundai-ce.com

2010.06 Rev 0

HYUNDAI
HEAVY INDUSTRIES CO.,LTD.
CONSTRUCTION EQUIPMENT

Head Office (Sales Office)
1 JEONHA-DONG, DONG-GU, ULSAN, KOREA TEL: (82) 52-202-7970, 7729, 0971 FAX: (82) 52-202-7979, 7720

Americas Operation: Hyundai Construction Equipment Americas, Inc.
955 ESTES AVENUE, ELK GROVE VILLAGE, IL. 60007, U.S.A. TEL: (1) 847-437-3333 FAX: (1) 847-437-3574

Europe Operation: Hyundai Heavy Industries Europe N.V.
VOSSENDAAL 11, 2440 GEEL, BELGIUM TEL: (32) 14-56-2200 FAX: (32) 14-59-3405

India Operation: Hyundai Construction Equipment India Pvt., Ltd.
PLOT NO.A-2, CHAKAN INDUSTRIAL AREA, VILL.- KHALUMBRE. TALUK.- KHED., DIST.- PUNE 410 501, INDIA
TEL: (91) 21-3530-1700 FAX: (91) 21-3530-1712

We build a better future

Robex
55-9

With Tier 4 Interim Engine installed



*Photo may include optional equipment.

HYUNDAI
HEAVY INDUSTRIES CO.,LTD.

Pride at Work

Hyundai Heavy Industries strives to build state-of-the-art earthmoving equipment to give every operator maximum performance, more precision, versatile machine preferences, and proven quality. Take pride in your work with Hyundai!



Robex 55-9

Machine Walk-Around

Rugged Upper and Lower Frame

The upper frame is designed with optimum structural integrity to absorb impact and operational stress. The x-style center frame and reinforced box section track frame provide exceptional strength and longer service life to withstand tough working conditions.

Engine Technology

The efficient, Tier 4 interim certified Yanmar 4TNV98 engine provides proven, reliable power. This engine is electronically controlled for optimum fuel to air ratio and clean, efficient combustion and provides low noise, anti-restart features.

Efficient Control System

All control devices are arranged for higher productivity and improved operator comfort. Efficient and ergonomic controls allow an operator to control the machine in any working environment. A safety lever on the left-side console is provided to prevent exiting the cabin while hydraulic controls are live.

Advanced Hydraulic System

The R55-9's advanced hydraulic system includes an arm flow summation system, boom holding system and a swing parking brake for smooth and fine control. Other valuable features include a hydraulic damper in the travel pedal, and a hydraulically lubricated swing reducer with a leak-free grease chamber.

Comfortable and Durable Cabin

The cabin is roomy and ergonomically designed, for reduced noise and good visibility. The cabin frame meets international standard TOPS, ROPS, FOPS ensuring operator safety.

Operator Convenience

Convenient operator features include a suspension seat, excellent visibility, and variable storage space for advanced operator comfort. The newly designed LED cluster provides current information, including engine RPM, engine coolant, fuel level, and electric components. A hydraulic function safety lock and auto diagnostic features are also available. Lock and failure diagnosis functions are also integrated. A powerful air conditioning system and CD/MP3 interface contribute to a productive work environment.

Easy and Simple Maintenance

Wide open access of doors, covers, hoods is designed for easier maintenance. The air cleaner and centralized grease fittings are also integrated for easy service.

Extended Life of Components

Long life components and wear parts, including hydraulic filters, oil, shims, and bushings, help to reduce operating costs.

Preference

The powerful and sophisticated R55-9 provides the operator with a large, comfortable operating environment and an ergonomically designed suspension seat with arm rests for an enhanced operating experience. For additional convenience, precision designed joystick controllers and an easy to read monitor provide the operator with quick access to information and machine control.



*Photo may include optional equipment.

Operator Comfort

The R55-9 operator's cab is designed for a comfortable operating experience. An ergonomically designed suspension seat, adjustable arm rests and a spacious environment helps to minimize operator fatigue. Control levers are easily accessible and an instrument display is provided to keep the operator informed on pertinent machine information.

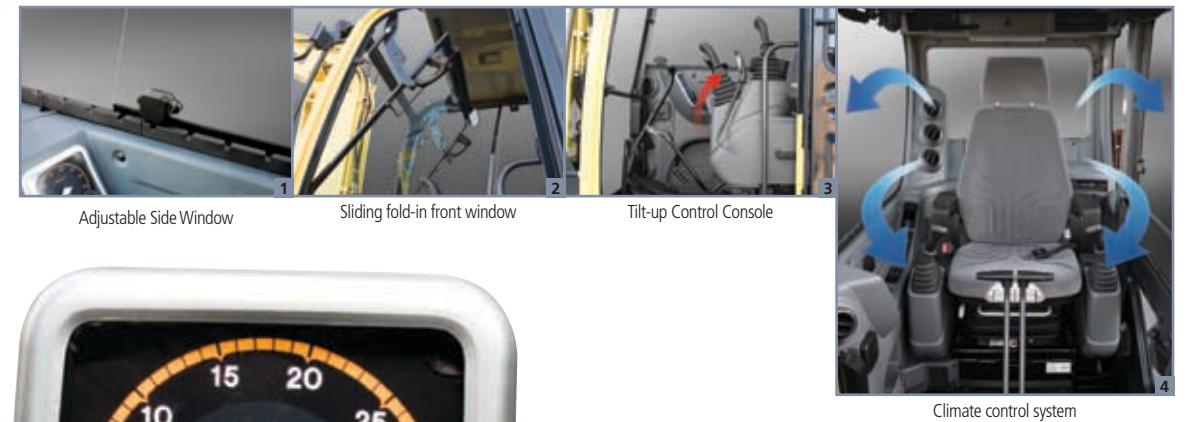
1. A large upper roof glass provides additional visibility and a roller shade is provided to reduce glare and sunlight.
2. An advanced audio system with AM/FM stereo with CD/MP3 interface input, plus remotely located control is perfect for listening to music favorites.
3. A hands-free cell phone function is available for safe and convenient phone use.
4. Ergonomically designed joysticks reduce operator fatigue during the work day.
5. Multiple storage compartments are available for additional convenience.



Enhanced Cabin

Hyundai R55-9 is equipped for convenience and productivity.

1. An adjustable position window prevents window movement while operating.
2. A sliding fold-in front window is easily opened and safely stored in an open position to improve ventilation and visibility.
3. A tilt-up left side control console provides easier entrance and exit from the cab.
4. A power climate control system provides the operator with optimum air temperature.



Operator - Friendly Cluster

The advanced new LED cluster allows the operator to select his personal machine preferences. The monitor displays engine rpm, engine oil temperature, water temperature and information for all electronic devices. Button selections are provided for auto idle mode, max power mode, and travel speed. A security feature is also provided to prevent the machine from starting without a proper password.

Wide Cabin with Excellent Visibility

The newly designed cabin was conceived for more space, a wider field of view and operator comfort. Special attention was given to a clear, open and convenient interior with plenty of visibility on the machine surroundings and the job at hand. This well balanced combination of precision aspects put the operator in the perfect position to work safely and securely.



Precision & Performance

Innovative hydraulic system technologies make the R55-9 excavator fast, smooth and easy to control. Also R55-9 is designed for maximum performance to keep the operator working productively.



Excellent Performance

Hyundai's 9 series offers the operator maximized productivity and efficiency. A convenient throttle volume dial with LED light allows the operator to customize engine power according to job requirements. A max power button maximizes machine speed and power for maximum production. The R55-9 also features an auto idle system which improves fuel efficiency and reduces cab noise.

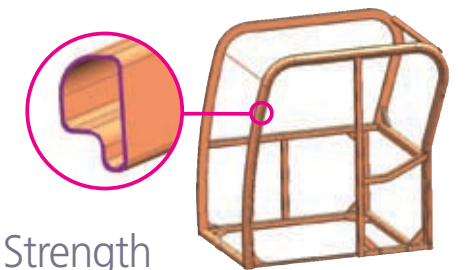
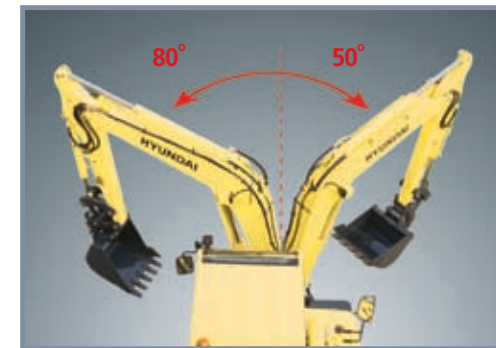
Improved Hydraulic System



To achieve optimum precision, Hyundai redesigned the hydraulic system to provide the operator with super fine touch and improved controllability. Improved pump flow control reduces flow when controls are not being used to minimize fuel consumption. Improved spool valves in the control valve are engineered to provide more precise flow to each function with less effort. Improved hydraulic valves, precision-designed variable volume piston pumps, fine-touch pilot controls, and enhanced travel functions make any operator running a 9 series look like a smooth operator. Boom-down flow regeneration and control valve technology are newly improved.

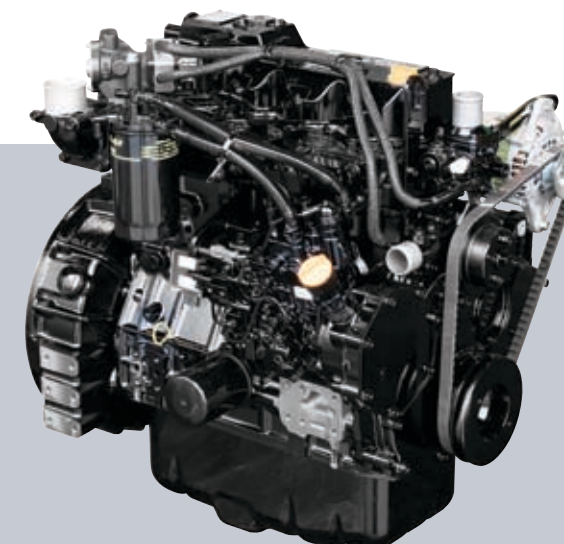
Variable Swing Boom

The R55-9's boom swing function is designed for efficient work in congested residential and urban areas. The boom can be offset left or right within an operating range. Plus, increased swing torque provides enhanced operating capability on the slope.



Structure Strength

The 9 series cabin structure has been fitted with stronger but slimmer tubing for more safety and improved visibility. Low-stress, high strength steel is integrally welded to form a stronger, more durable upper and lower frame. Structural integrity was tested by way of FEM (Finite Elements Method) analysis and long-term durability tests.



Yanmar 4TNV98

The Highest Engine Power in its Class

Yanmar 4TNV98 engine provides 20.5 kgf.m (148 lbf.ft) of maximum torque with 57 HP at 2,400rpm of rated power. This means the R55-9 runs with the most power in its class, giving you more power to get the job done.

*Photo may include optional equipment.

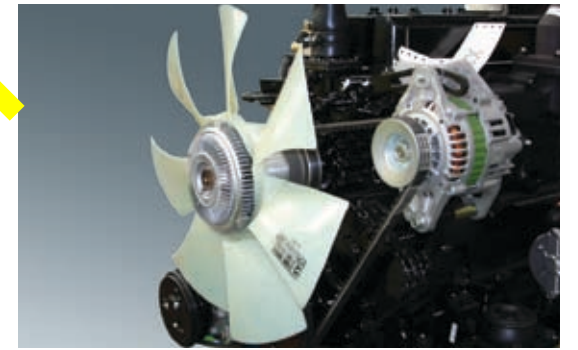
Profitability

R55-9 is designed to maximize profitability through improved efficiencies, enhanced service features and longer life components.



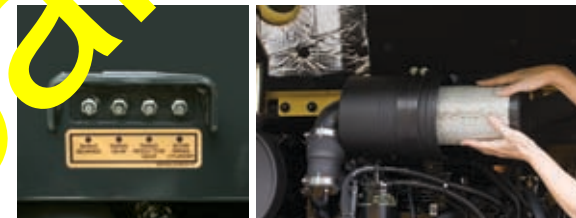
Fuel Efficient

9 series compact excavators are engineered to be extremely fuel efficient. A new applied cooling fan clutch contributes to reduced noise and improved fuel efficiency.



Improved Durability

The R55-9 is equipped with counterweight rear guards to protect the engine hood. Boom cylinder cover provides added protection on the tough working condition.



Easy Access

Centralized grease fittings and easy change plastic air cleaner provide faster, easier service and maintenance.

Wide Open Engine hood

A newly designed full-open type engine hood makes service more convenient on the R55-9.



Extended Life Components

9 series excavators were designed with improved bushings with extended lubrication intervals, wear resistant and noise reducing polymer shims, extended-life hydraulic filters (1,000hr), long-life hydraulic oil (5,000hr), more efficient cooling systems and integrated preheating systems to extend service intervals, minimize operating costs and reduce machine down time.

*Photo may include optional equipment.

Specifications

ENGINE

MODEL	YANMAR 4TNV98		
Type	Water cooled, 4 cycle diesel 4 cylinders in line, direct injection, low emission		
Rated flywheel horsepower	SAE	J1995 (gross) J1349 (net)	57 HP (42.5 kW) at 2,400 rpm 55.2 HP (41.2 kW) at 2,400 rpm
	DIN	6271/1 (gross) 6271/1 (net)	57.8 PS (42.5 kW) at 2,400 rpm 56 PS (41.2 kW) at 2,400 rpm
Max. torque	20.5 kgf-m (148 lbf-ft) at 1,550 rpm		
Bore X stroke	98 mm (3.86") x 110 mm (4.33")		
Piston displacement	3,319 cc (203 cu in)		
Batteries	1 x 12 V x 100 AH		
Starting motor	12V-3.0 kW		
Alternator	12V-80 Amp		

HYDRAULIC SYSTEM

MAIN PUMP	
Type	Two variable displacement piston pumps
Max. flow	2 X 55 l/min(14.5 US gpm/12.1 UK gpm)pumps
Sub-pump for pilot circuit	Gear pump

Cross-sensing and fuel saving pump system

HYDRAULIC MOTORS	
Travel	Two speed axial piston motor with counter balance valve and parking brake
Swing	Axial piston motor with automatic brake

RELIEF VALVE SETTING	
Implement circuits	220 kgf/cm ² (3,130 psi)
Travel circuit	220 kgf/cm ² (3,130 psi)
Swing circuit	220 kgf/cm ² (3,130 psi)
Pilot circuit	30 kgf/cm ² (430 psi)
Service valve	Installed

HYDRAULIC CYLINDERS	
No. of cylinder bore X stroke	Boom: 1-110 x 715 mm (4.3" x 28.1")
	Arm: 1-90 x 850 mm (3.5" x 33.5")
	Bucket: 1-80 x 660 mm (3.1" x 26.0")
	Boom swing: 1-95 x 527 mm (3.7" x 20.7")
	Dozer blade: 1-110 x 224 mm (4.3" x 8.8")

TRAVEL SYSTEM

Drive method	Full hydrostatic type
Drive motor	Axial piston motor, in-shoe design
Reduction system	Planetary reduction gear
Max. drawbar pull	5,300 kgf (11,700 lbf)
Max. travel speed(high) / (low)	4.0 km/hr (2.5 mph) / 2.2 km/hr (1.4 mph)
Gradeability	35° (70%)
Parking brake	Multi-wet disc

CONTROLS

Pilot pressure operated joysticks and pedals with detachable lever provide almost effortless and fatigueless operation.

Pilot control	Two joysticks with one safety lever (LH): Arm swing, Boom swing (RH): Boom and bucket (ISO)
Traveling and steering	Two levers with pedals
Engine throttle	Electric, Dial type

SWING SYSTEM

Swing motor	Axial piston motor
Swing reduction	Planetary gear reduction
Swing bearing lubrication	Grease-bathed
Swing brake	Multi wet disc
Swing speed	9.3 rpm

COOLANT & LUBRICANT CAPACITY

(Refilling)	liter	US gal	UK gal
Fuel tank	125.0	33.0	27.5
Engine coolant	9.5	2.5	2.1
Engine oil	11.6	3.1	2.6
Swing device-gear oil	1.5	0.4	0.3
Final drive(each)	1.2	0.3	0.3
Hydraulic tank	70.0	18.5	15.4
Hydraulic system	120.0	31.7	26.4

UNDERCARRIAGE

X-leg type center frame is integrally welded with reinforced box-section track frames. The undercarriage includes lubricate rollers, track adjusters with shock absorbing springs and sprockets, and track chain with triple grouser shoes.

Center frame	X - leg type
Track frame	Pentagonal box type
No. of track shoe on each side	40
No. of upper roller on each side	1
No. of lower roller on each side	5

OPERATING WEIGHT (APPROXIMATE)

Operating weight, including 3,000 mm (9' 10") boom, 1,600 mm (5' 3") arm, SAE heaped 0.18 m³ (0.24 yd³) digging bucket, lubricant, coolant, full fuel tank, hydraulic tank and the standard equipment.

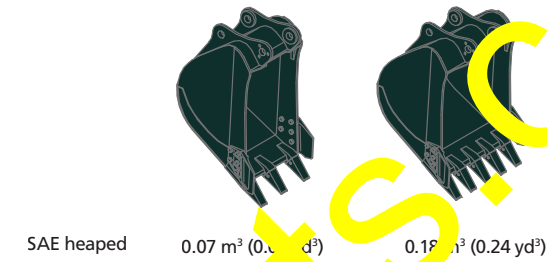
MAJOR COMPONENT WEIGHT	
Upperstructure	2,710 kg (5,970 lb)
Counterweight	230 kg (510 lb)
Mono boom(with arm cylinder)	310 kg (680 lb)

OPERATING WEIGHT	
Operating weight	5,650 kg (12,450 lb)

5,650 kg (12,450 lb) Mono boom with blade

BUCKETS

Capacity		Width		Weight
SAE heaped	CECE heaped	Without cutters	With side cutters	
0.07 m ³ (0.09 yd ³)	0.06 m ³ (0.08 yd ³)	315 mm(12.4")	360 mm(14.2")	115 kg(255 lb)
0.18 m ³ (0.24 yd ³)	0.15 m ³ (0.20 yd ³)	670 mm(26.4")	740 mm(29.1")	170 kg(375 lb)



SAE heaped 0.07 m³ (0.09 yd³) CECE heaped 0.15 m³ (0.24 yd³)

DIGGING FORCE

Arm	Length	1,600 mm (5' 3")	1,900 mm (6' 3")
	Weight	210 kg (460 lb)	230 kg (510 lb)
Bucket digging force	SAE	37.7 kN	37.7 kN
		3,850 kgf	3,850 kgf
	ISO	8,490 lbf	8,490 lbf
		42.4 kN	42.4 kN
Arm crowd force	SAE	4,330 kgf	4,330 kgf
		9,550 lbf	9,550 lbf
	ISO	28.4 kN	25.5 kN
		2,900 kgf	2,600 kgf
ISO	6,390 lbf	5,730 lbf	
	31.9 kN	28.7 kN	
ISO	3,260 kgf	2,930 kgf	
	7,190 lbf	6,460 lbf	

*Arm weight including cylinder and linkage.

Lifting Capacity

55-9

Rating over-front Rating over-side or 360 degree

Boom : 3.0m (9' 10") / Arm : 1.6 m (5' 3") / Bucket : 0.18m³ (0.24yd³) SAE heaped / Dozer blade down with 230kg (510 lb) counterweight.

Load point height m (ft)		Load radius								At max. reach		
		2.0 m (7 ft)		3.0 m (10 ft)		4.0 m (13 ft)		5.0 m (16 ft)		Capacity	Reach	
												m (ft)
5.0 m (16 ft)	kg lb									*950 *2090	*950 *2090	4.12 (13.5)
4.0 m (13 ft)	kg lb					*1020 *2250	*1020 *2250			*980 *2160	780 1720	5.08 (16.7)
3.0 m (10 ft)	kg lb					*1090 *2400	*1090 *2400			*1010 *2230	650 1430	5.60 (18.4)
2.0 m (7 ft)	kg lb	*3050 *6720	*3050 *6720	*1690 *3730	*1690 *3730	*1320 *2910	1100 2430	*1170 *2580	760 1680	*1050 *2310	590 1300	5.84 (19.2)
1.0 m (3 ft)	kg lb			*2360 *5200	1610 3550	*1600 *3530	1040 2290	*1280 *2820	740 1630	*1100 *2430	580 1280	5.85 (19.2)
Ground Line	kg lb	*2350 *5180	*2350 *5180	*2700 *5950	1540 3400	*1790 *3950	1000 2200	*1350 *2980	720 1590	*1140 *2510	610 1340	5.63 (18.5)
-1.0 m (-3 ft)	kg lb	*3600 *7940	3020 6660	*2670 *5890	1530 3370	*1800 *3970	990 2180			*1180 *2600	700 1540	5.13 (16.8)
-2.0 m (-7 ft)	kg lb	*3770 *8310	3060 6750	*2300 *5070	1540 3400					*1140 *2510	960 2120	4.23 (13.9)
-3.0 m (-10 ft)	kg lb	*2040 *4500	*2040 *4500									

1. Lifting capacity is based on SAE J1097, ISO 10567.

2. Lifting capacity of the Robex Series does not exceed 75% of the tipping load with the machine on firm, level ground or 87% of full hydraulic capacity.

3. The load point is a hook located on the back of the bucket.

4. (*) indicates the load limited by hydraulic capacity.

Lifting Capacity

R55-9 Rating over-front Rating over-side or 360 degree

Boom : 3.0m (9' 10") / Arm : 1.6 m (5' 3") / Bucket : 0.18m³ (0.24yd³) SAE heaped / Dozer blade up with 230kg (510 lb) counterweight.

Load point height m (ft)	Load radius								At max. reach			
	2.0 m (7 ft)		3.0 m (10 ft)		4.0 m (13 ft)		5.0 m (16 ft)		Capacity		Reach m (ft)	
5.0 m (16 ft)	kg								*950	*950	4.12	
4.0 m (13 ft)	lb								*2090	*2090	(13.5)	
3.0 m (10 ft)	kg					*1020	*1020		*980	740	5.08	
2.0 m (7 ft)	lb					*2250	*2250		*2160	1630	(16.7)	
1.0 m (3 ft)	kg					*1090	1080		890	610	5.60	
Ground Line	lb					*2400	2380		1960	1340	(18.4)	
-1.0 m (-3 ft)	kg	*3050	*3050	*1690	1630	*1320	1030	1040	710	810	550	5.84
-2.0 m (-7 ft)	lb	*6720	*6720	*3730	3590	*2910	2270	2290	1570	1790	1210	(19.2)
-3.0 m (-10 ft)	kg			2250	1510	1430	980	1010	690	800	540	5.85
	lb			4960	3330	3150	2160	2230	1520	1760	1190	(19.2)
	kg	*2350	*2350	2170	1440	1390	940	990	670	840	570	5.63
	lb	*5180	*5180	4780	3170	3060	2070	2180	1480	1850	1260	(18.5)
	kg	*3600	2780	2150	1420	1370	930			970	660	5.13
	lb	*7940	6130	4740	3130	3020	2050			2140	1460	(16.8)
	kg	*3770	2830	2170	1440					*1140	900	4.23
	lb	*8310	6240	4780	3170					*2510	1980	(13.9)
	kg	*2040	*2040									
	lb	*4500	*4500									

Boom : 3.0m (9' 10") / Arm : 1.9 m (6' 3") / Bucket : 0.18m³ (0.24yd³) SAE heaped / Dozer blade down with 230kg (510 lb) counterweight.

Load point height m (ft)	Load radius								At max. reach			
	2.0 m (7 ft)		3.0 m (10 ft)		4.0 m (13 ft)		5.0 m (16 ft)		Capacity		Reach m (ft)	
5.0 m (16 ft)	kg								*870	*870	4.58	
4.0 m (13 ft)	lb								*1920	*1920	(15.0)	
3.0 m (10 ft)	kg								*900	700	5.43	
2.0 m (7 ft)	lb								*1980	1540	(17.8)	
1.0 m (3 ft)	kg					*950	*950	*990	780	*930	590	5.91
Ground Line	lb					*2090	*2090	*2180	1720	*2050	1300	(19.4)
-1.0 m (-3 ft)	kg			*1440	*1440	*1190	1110	*1080	760	*970	540	6.13
-2.0 m (-7 ft)	lb			*3170	*3170	*2620	2450	*2380	1680	*2140	1190	(20.1)
-3.0 m (-10 ft)	kg	*2050	*2050	*2160	1630	*1500	1050	*1220	740	*1020	530	6.14
	lb	*4520	*4520	*4760	3590	*3310	2310	*2690	1630	*2250	1170	(20.1)
	kg	*2280	*2280	*2610	1540	*1730	1000	*1320	710	*1060	550	5.63
	lb	*5030	*5030	*5750	3400	*3810	2200	*2910	1570	*2340	1210	(19.5)
	kg	*3230	2980	*2700	1510	*1810	980	*1310	700	*1100	620	5.48
	lb	*7120	6570	*5950	3330	*3990	2160	*2890	1540	*2430	1370	(18.0)
	kg	*4140	3020	*2450	1520	*1630	980			*1100	810	6.13
	lb	*9130	6660	*5400	3350	*3590	2160			*2430	1790	(19.5)
	kg	*2760	*2760	*1640	1570							
	lb	*6080	*6080	*3620	3460							

Boom : 3.0m (9' 10") / Arm : 1.9 m (6' 3") / Bucket : 0.18m³ (0.24yd³) SAE heaped / Dozer blade up with 230kg (510 lb) counterweight.

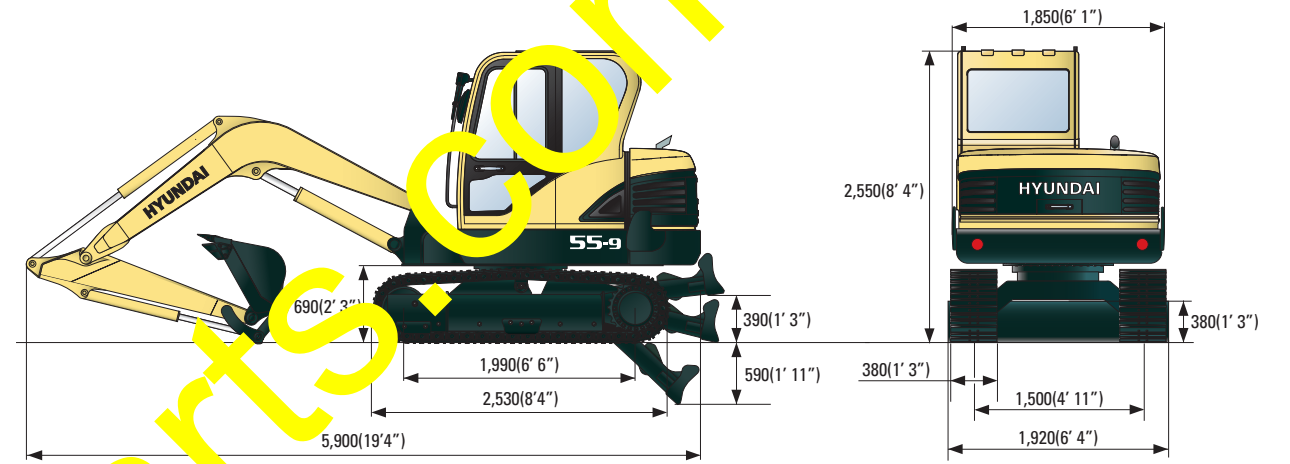
Load point height m (ft)	Load radius								At max. reach			
	2.0 m (7 ft)		3.0 m (10 ft)		4.0 m (13 ft)		5.0 m (16 ft)		Capacity		Reach m (ft)	
5.0 m (16 ft)	kg								*870	*870	4.58	
4.0 m (13 ft)	lb								*1920	*1920	(15.0)	
3.0 m (10 ft)	kg								*900	660	5.43	
2.0 m (7 ft)	lb								*1980	1460	(17.8)	
1.0 m (3 ft)	kg					*950	*950	*990	740	810	550	5.91
Ground Line	lb					*2090	*2090	*2180	1630	1790	1210	(19.4)
-1.0 m (-3 ft)	kg			*1440	*1440	*1190	1040	1040	720	750	500	6.13
-2.0 m (-7 ft)	lb			*3170	*3170	*2620	2290	2290	1590	1650	1100	(20.1)
-3.0 m (-10 ft)	kg	*2050	*2050	*2160	1530	1440	940	940	690	740	490	6.14
	lb	*4520	*4520	*4760	3370	3170	2160	2160	1520	1630	1080	(20.1)
	kg	*2280	*2280	2170	1440	1390	940	990	670	770	510	5.93
	lb	*5030	*5030	4780	3170	3060	2070	2180	1480	1700	1120	(19.5)
	kg	*3230	2740	2140	1410	1370	930	980	660	870	580	5.48
	lb	*7120	6040	4720	3110	3000	2010	2160	1490	1920	1280	(18.0)
	kg	*4140	2780	2150	1420	1370	930			*1100	760	4.67
	lb	*9130	6130	4740	3130	3020	2030			*2430	1680	(15.3)
	kg	*2760	*2760	*1640	1470							
	lb	*6080	*6080	*3620	3240							

- Lifting capacity is based on SAE J1097, ISO 10567.
- Lifting capacity of the Robex Series does not exceed 75% of the tipping load with the machine on firm, level ground or 87% of full hydraulic capacity.
- The load point is a hook located on the back of the bucket.
- (*) indicates the load limited by hydraulic capacity.

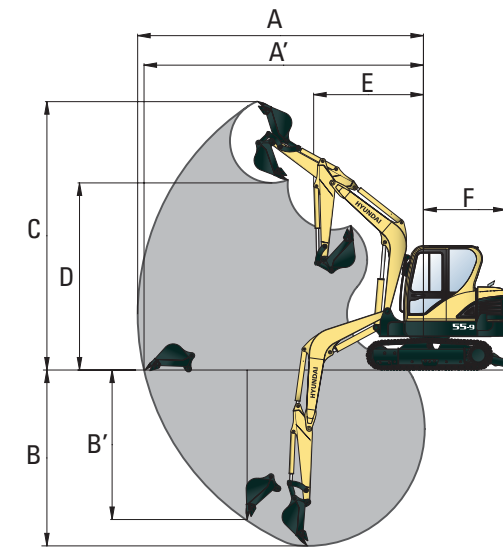
Dimensions & Working Range

R55-9 DIMENSIONS

unit: mm(ft · in)



R55-9 WORKING RANGE



unit: mm(ft · in)

Boom length	3,000 (9' 10")	
Arm length	1,600 (5' 3")	1,900 (6' 3")
A Max. digging reach	6,150 (20' 2")	6,400 (20' 1")
A' Max. digging reach on ground	6,010 (19' 9")	6,270 (20' 7")
B Max. digging depth	3,820 (12' 6")	4,060 (13' 4")
B' Max. vertical wall digging depth	3,200 (10' 6")	3,460 (11' 4")
C Max. digging height	5,780 (18' 12")	5,920 (19' 5")
D Max. dumping height	4,050 (13' 3")	4,180 (13' 9")
E Min. swing radius	2,350 (7' 9")	2,360 (7' 9")
F Tail swing radius	1,650 (5' 5")	1,650 (5' 5")