

STANDARD EQUIPMENT

ISO Standard cabin

All-weather steel cab with 360° visibility
Safety glass windows
Rise-up type windshield wiper
Sliding fold-in front window
Sliding side window
Lockable door
Hot & cool box
Storage compartment & Ashtray
Transparent cabin roof-cover
CD/MP3 Player
Handsfree mobile phone system with USB
Sun visor

Computer aided power optimization (New CAPO) system

3-power mode, 3-work mode, User mode
Auto deceleration & one-touch deceleration system
Auto warm-up system
Auto overheat prevention system

Automatic climate control

Air conditioner & heater
Defroster

Self-diagnostics system

Starting Aid (air grid heater) for cold weather

Centralized monitoring

LCD display
Engine speed or Trip meter/Accel.
Clock
Gauges
Fuel level gauge
Engine coolant temperature gauge
Hyd. oil temperature gauge
Warnings
Check Engine
Overload
Communication error
Low battery
Air cleaner clogging
Indicators
Max power
Low speed/High speed
Fuel warmer
Auto idle/Auto cruise

Door and cab locks, one key

Two outside rearview mirrors

Fully adjustable suspension seat with seat belt

Pilot-operated slidable joystick

Console box tilting system (LH.)

Three frontal working lights

Electric horn

Batteries (2 x 12V x 100 AH)

Battery master switch

Removable clean-out screen for oil cooler

Automatic swing brake

Removable reservoir tank

Fuel pre-filter with fuel warmer

Boom holding system

Arm holding system

Counterweight (4,600kg, 10,140lb)

Track shoes (600mm, 24")

Track rail guard

Viscous fan clutch

Accumulator for lowering work equipment

Electric transducer

OPTIONAL EQUIPMENT

Fuel filler pump (50 L/min)

Beacon lamp

Safety lock valve for boom cylinder with overload warning device

Safety lock valve for arm cylinder

Single-acting piping kit (breaker, etc.)

Double-acting piping kit (clamshell, etc.)

Quick coupler

12 volt power outlet (24V DC to 12V DC converter)

Travel alarm

Booms

5.85 m, 19' 2"

5.85 m, 19' 2" Heavy duty

Arms

2.1 m, 6' 11"

2.5 m, 8' 2"

3.05 m, 10' 0"

3.6 m, 11' 10"

3.05 m, 10' 0" Heavy duty

Cabin FOPS/FOG (ISO/DIS 10262)

FOPS (Falling Object Protective Structure)

FOG (Falling Object Guard)

Cabin roof-steel cover

Cabin lights

Cabin front window rain guard

Track shoes

Triple grouser shoe (700mm, 28")

Triple grouser shoe (800mm, 32")

Triple grouser shoe (900mm, 36")

Double grouser shoe (700mm, 28")

Full track rail guard (High walker only)

Lower frame under-cover

Pre-heating system, coolant

Tool kit

Operator suit

Low-noise kit

Rearview camera

Engine emergency control cable

Seat

Adjustable air suspension seat

Adjustable air suspension seat with heater

Mechanical suspension seat with heater

Pattern change valve (4 patterns)

Hi-mate (Remote Management System)

Standard and optional equipment may vary. Contact your Hyundai dealer for more information. The machine may vary according to International standards. All imperial measurements rounded off to the nearest pound or inch.

PLEASE CONTACT

HYUNDAI
HEAVY INDUSTRIES CO., LTD.
CONSTRUCTION EQUIPMENT

Head Office: Seoul Office,
30, YEONGNHA-DONG, DONG-GU, ULSAN, KOREA TEL: (82) 52-202-7970, 7729, 0971 FAX: (82) 52-202-7979, 7720

U.S. Operation: Hyundai Construction Equipment U.S.A., Inc.
955 ESTES AVENUE, ELK GROVE VILLAGE, IL 60007, U.S.A. TEL: (1) 847-437-3333 FAX: (1) 847-437-3574

European Operation: Hyundai Heavy Industries Europe N.V.
VOSSENDAAL 11, 2440 GEEL, BELGIUM TEL: (32) 14-56-2200 FAX: (32) 14-59-3405

India Operation: Hyundai Construction Equipment India Pvt., Ltd.
PLOT NO.A-2, CHAKAN INDUSTRIAL AREA, VILL.-KHALUMBRE, TALUK.-KHED., DIST.-PUNE 410 501, INDIA
TEL: (91) 21-3530-1700 FAX: (91) 21-3530-1712

We build a better future

Robex

250LC-9

With Tier 3 Engine in standard



*Photo may include optional equipment.

Robex 250LC-9

**BUILT FOR MAXIMUM POWER,
PERFORMANCE, AND RELIABILITY.**

A new chapter in construction equipment has begun.



Hi-mate
Remote Management System

Hi-mate, Hyundai's newly developed remote management system, utilizes GPS-satellite technology, to provide our customers with the highest level of service and product support available. Hi-mate enables a dealer or end user to remotely evaluate machine performance, access diagnostic information and verify machine location at the touch of a button.

*Photo may include optional equipment.

Cabin Design Technology

The fully re-designed cabin offers low noise operation and increased visibility, providing a pleasant working environment for the operator.

Ergonomic Joystick

New joystick grips offering precise control are equipped with 4 switches.



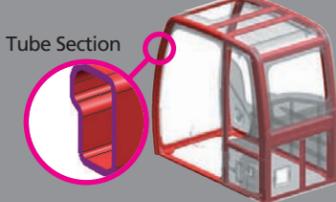
Wide Cabin with Excellent Visibility

The cabin is roomy and ergonomically designed with low noise levels and good visibility. A full-view front window and large rear and side windows provide excellent visibility in all directions.



Enhanced Structure

The operators' cabin tube-structure thickness has been improved for optimum safety.



- 1 Handsfree mobile phone with USB connector
- 2 Small cup holders and ashtray
- 3 MP3/CD Player with remote control
- 4 Seat heater (Optional)
- 5 Storage compartment
- 6 Additional storage area



*Photo may include optional equipment



Centralized Operation Buttons



Sunroof with Sliding Cover



Increased Tilt Angle of Operator's Seat



Rear Window Emergency Exit



Window Locking Device

Improved Performance & Safety Features

Overcome the limits with Robex 9



Photo may include optional equipment.



Track Rail Guard & Adjusters

Durable track rail guards keep track links in place. Track adjustment is made easy with standard grease cylinder track adjusters and shock absorbing springs.

Cummins QSB6.7 Engine

The 6-cylinders, turbo-charged, 4-cycle charger air-cooled engine is built for power, reliability, and economy. This engine meets the 3 emission regulation.



The Definition of Progress

The Quantum System B-Series 6.7-liter engine combines full-authority electronic controls with reliable performance.

The QSB6.7 electronics have been used in our high-horsepower products in the harshest, most demanding environments, including dusty, non-stop mining operations, and meet worldwide emissions regulations.

The QSB6.7 features 24 valves designed with centered injectors and a symmetrical piston bowl. The combination of improved airflow and evenly dispersed fuel results in increased power, improved transient response, and reduced fuel consumption.



Strong and Stable Lower Frame

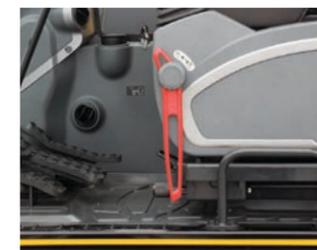
The reinforced box-section frame is welded using low-stress, high-strength steel. The X-leg type center frame is integrally welded for maximum strength and durability.



- 1 Reinforced Bucket and Bucket Linkage
Sealed and adjustable bucket linkage produces less wear of pins and bushes and offers silent operation.
- 2 Dial-Type Engine Speed Switch
- 3 Power Boost Control System



Rearview Camera (Optional)



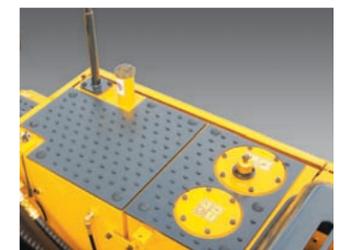
Safety Lever



Master Switch



Anti Restart System



Anti-Slip Plates

<http://thespareparts.com>

Newly Designed Hydraulic System

Powerful and precise swing control

Advanced CAPO System

The advanced CAPO (Computer Aided Power Optimization) system tunes engine and pump power to optimum levels. Multiple mode selections are available for various work loads, maintaining high performance while reducing fuel consumption. Features include auto deceleration and power boost. The system monitors engine speed, coolant and hydraulic oil temperature. Contained within the system are self-diagnostic capabilities which display error codes on the monitor.

New larger display (7inch Wide LCD)

The instrument Panel is installed in front of RH console box, making it easy to check all critical systems via easy-to-read indicators.



Multi Function Wide Color LCD Monitor



Intelligent main screen lay-out (2 layer)



- 1 Power Modes: P-Max Power/S-Standard Power/E-Economy Power
- 2 Work Modes: Digger/Breaker/Crusher
- 3 User Mode: Saved Operator-Preferred Power Settings
- 4 Self-Diagnostics System
- 5 Maintenance List & Security Password
- 6 Rearview camera (Optional)

- Caution Light
- 1 Engine Water Temperature Gauge
- 2 Fuel Gauge
- 3 Hyd. Oil Temperature Gauge
- 4 RPM/Tripmeter Display Window
- 5 Accel. Dial Gauge Bar
- Select Power Button Window
- Select Work Button Window
- Select Attachment Mode Window
- Notice Light
- Select Travel Window
- Select Auto Idle Window



Optimum Hydraulic Performance

The pump output capacity has been increased.

Auto Deceleration System

When the remote-control valves are in the neutral position for more than 4 seconds, the CPU controller instructs the accel. actuator to reduce engine speed to 1,000rpm. And 60 seconds later, engine speed is reduced to low idle automatically. This decreases fuel consumption and reduces cab noise levels.

Boom & Arm Holding System

The holding valves in the main control valve prevent boom & arm lowering during an extended period in the neutral position.

Boom & Arm Flow Regeneration System

The flow regeneration valve provides smooth and fast operation without cylinder cavitation.

Hydraulically Dampened Travel Pedal

Improved travel controllability & smoother travel has been achieved via shock reducing components.

Pump Flow Control System

When in neutral, the pump flow is minimized to reduce power loss. During operation, maximum pump flow is delivered to the actuator to increase speed. Movement of the control lever automatically adjusts pump flow, with cylinder speed controlled proportionally.

Power Boost Control System

In power mode, the digging force increases about 10%.

One-Touch Decel. System

When the one-touch decel. switch is engaged, the CPU controller limits the accel. actuator to an 800rpm idle. When the one-touch decel. Switch is disengaged, the engine speed recovers to its preset rpm.

Self-Diagnostics System

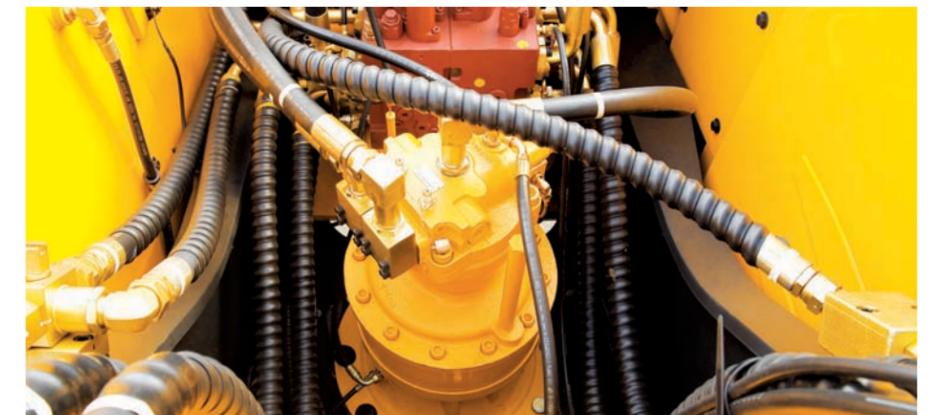
The CPU controller diagnoses problems in the CAPO system caused by electric and hydraulic malfunctions and displays the corresponding displayed on the cluster LCD monitor error codes.

The information via this device, including engine rpm, main pump delivery pressure, battery voltage, hydraulic temperature and the status of electric switches, allows the operator to know the exact operating conditions of the machine.

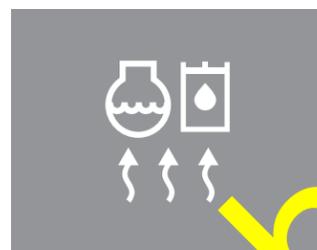
This makes it easier to troubleshoot any problems that occur.

Attachment Flow Control System

Attachment mode provides adequate hydraulic pump flow to each work tool, preventing excess flow and ensuring the regular performance.



Automatic Engine Overheat Prevention



Automatic Warm-Up System

Reliability & Maintenance

Lubrication Fittings

All lube fittings are centralized and in close proximity to each other for easy service.

Easy to Maintain Engine Components

The cooling and pre-heating systems are designed for optimal and immediate operation, guaranteeing longer engine and hydraulic components life. Servicing the engine and the hydraulics has been considerably simplified due to accessibility.



Side Cover with Left & Right Swing Open Type

Unrestricted access to vital components allows easy maintenance and repair.



Filter with Extended Exchange Interval (1,000hr)

- 1 Drain Filter
- 2 Fuel Pre-Filter
- 3 Engine Oil Filter



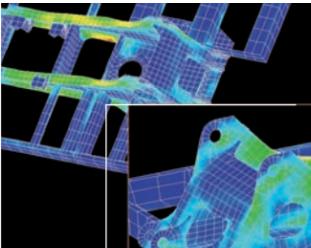
Easy to Access Electric Box



Easy to Change Air Cleaner Assembly



Large Compartment for Extra Storage (Fuel filler pump: Optional)



Structure Durability Proven via FEM Analysis and Long-Term Durability Tests.



*Photo may include optional equipment.

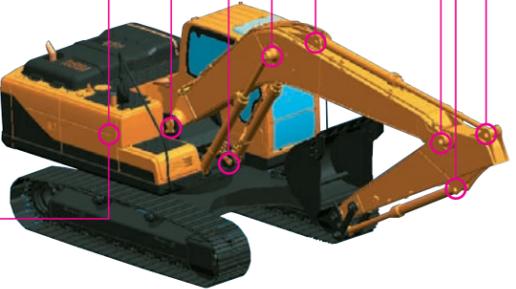
Extended Hydraulic Filter Life

Filters with extended exchange intervals (250hr → 1,000 hr, Fiber glass)



Extended Hydraulic Oil Life

(2,000hr → 5,000 hr, Increase Protection From Oxidization & Heat)



Extended Lubricant Bush Life & Ultra High Molecular Weight Polymer Shim (Wear Resistant & Noise Reducing)



Specifications

ENGINE

MODEL	Cummins Q5B6.7		
Type	Water-cooled, 4-cycle Diesel, 6-Cylinder in-line, Direct injection, Turbocharged, Charge air cooled, Low emission		
Rated flywheel horse power	SAE	J1995(gross)	195 HP (146 kW)/ 1,900 rpm
		J1349 (net)	183 HP (137 kW)/ 1,900 rpm
DIN		6271/1 (gross)	198 PS (146 kW)/ 1,900 rpm
		6271/1 (net)	186 PS (137 kW)/ 1,900 rpm
Max. torque	95.0 kgf-m(687 lbf-ft)/ 1,400 rpm		
Bore X stroke	107 x 124 mm (4.2" x 4.9")		
Piston displacement	6,700cc (409 in ³)		
Batteries	2 X 12V X 100AH		
Starting motor	24V, 4.5kW		
Alternator	24V, 50Amp		

HYDRAULIC SYSTEM

MAIN PUMP	
Type	Variable displacement tandem-axis piston pumps
Max. flow	2 X 222 L/min (58.6 US gpm / 48.8 UK gpm)
Sub-pump for pilot circuit	Gear pump

Cross-sensing and fuel saving pump system

HYDRAULIC MOTORS	
Travel	Two-speed axial pistons motor with brake valve and parking brake
Swing	Axial piston motor with automatic brake

RELIEF VALVE SETTING	
Implement circuits	350 kgf/cm ² (4,978 psi)
Travel	330 kgf/cm ² (4,690 psi)
Power boost (boom, arm, bucket)	380 kgf/cm ² (5,404 psi)
Swing circuit	275 kgf/cm ² (3,910 psi)
Pilot circuit	40 kgf/cm ² (568 psi)
Service valve	Installed

HYDRAULIC CYLINDERS	
No. of cylinder bore X stroke	Boom: 2-135 X 1,345 mm (5.3" X 52.9") Arm: 1-145 X 1,620 mm (5.7" X 63.8") Bucket: 1-130 X 1,185 mm (5.1" X 46.7")

DRIVES & BRAKES

Drive method	Fully hydrostatic type
Drive motor	Axial piston motor, in-shoe design
Reduction system	Planetary reduction gear
Max. drawbar pull	21,600 kgf (47,600 lbf)
Max. travel speed (high / low)	5.3 km/hr (3.3 mph) / 3.3 km/hr (2.0 mph)
Gradeability	35° (70 %)
Parking brake	Multi wet disc

CONTROL

Pilot pressure operated joysticks and pedals with detachable lever provide almost effortless and fatigueless operation.

Pilot control	Two joysticks with one safety lever (LH): Swing and arm, (RH): Boom and bucket (ISO)
Traveling and steering	Two levers with pedals
Engine throttle	Electric, Dial type
Lights	Two lights mounted on the boom, one light mounted on the battery

SWING SYSTEM

Swing motor	Two fixed displacement axial pistons motor
Swing reduction	Planetary gear reduction
Swing bearing lubrication	Grease-bathed
Swing brake	Multi wet disc
Swing speed	12.0 rpm

COOLANT & LUBRICANT CAPACITY

Re-filling	liter	US gal	UK gal
Fuel tank	400	105.7	88.0
Engine coolant	35	9.2	7.7
Engine oil	24	6.3	5.3
Swing device	6	1.6	1.3
Final drive (each)	3.3	0.87	0.73
Hydraulic system (including tank)	285	75.3	62.7
Hydraulic tank	165	43.6	36.3

UNDERCARRIAGE

The X-leg type center frame is integrally welded with reinforced box-section track frames. The undercarriage includes lubricated rollers, idlers, track adjusters with shock absorbing springs and sprockets, and a track chain with double or triple grouser shoes.

Center frame	X - leg type
Track frame	Pentagonal box type
No. of shoes on each side	51
No. of carrier rollers on each side	2
No. of track rollers on each side	9
No. of rail guards on each side	2

OPERATING WEIGHT (APPROXIMATE)

Operating weight, including 5,850mm (19' 2") boom, 3,050mm (10' 0") arm, SAE heaped 1.08m³ (1.41 yd³) bucket, lubricant, coolant, full fuel tank, full hydraulic tank and all standard equipments.

MAJOR COMPONENT WEIGHT	
Upperstructure	5,520 kg (12,170 lb)
Counterweight	4,600 kg (10,140 lb)
Boom (with arm cylinder)	2,460 kg (5,420 lb)
Arm (with bucket cylinder)	1,540 kg (3,400 lb)

OPERATING WEIGHT				
Shoes		Operating weight	Ground pressure	
Type	Width mm (in)	kg (lb)	kgf/cm ² (psi)	
Triple grouser	600 mm (24")	R250LC-9	25,500(56,600)	0.51(7.25)
		R250LC-9 H/W	29,650(65,370)	0.53(7.54)
	700 mm (28")	R250LC-9	25,500(56,200)	0.44(6.26)
		R250LC-9 H/W	29,620(61,770)	0.46(6.54)
	800 mm (32")	R250LC-9	25,800(56,900)	0.39(5.55)
		R250LC-9 H/W	28,400(62,610)	0.41(5.83)
Double grouser	700 mm (28")	R250LC-9 H/W	29,650(65,370)	0.49(6.97)

BUCKETS

All buckets are welded with high-strength steel.

					
SAE heaped m ³ (yd ³)	0.60 (0.78)	0.73 (0.93)	1.03 (1.35)	1.08 (1.41)	1.50 (1.96)
Capacity m ³ (yd ³)	0.60 (0.78)	0.73 (0.93)	1.03 (1.35)	1.08 (1.41)	1.50 (1.96)
Width mm (ft-in)	760 (24.9)	880 (28.9)	1,010 (33.1)	1,100 (36.1)	1,250 (41.3)
Weight kg (lb)	720 (1,590)	790 (1,740)	890 (1,960)	910 (2,000)	1,080 (2,380)
Recommendation mm (ft-in)					
5,850 (19' 2") Boom					
2,100 (6' 11") Arm		2,500 (8' 2") Arm		3,050 (10' 0") Arm	
3,600 (11' 10") Arm					
SAE heaped	CECE heaped	Without side cutters	With cutters		
0.60 (0.78)	0.55 (0.72)	760 (24.9)	880 (28.9)	●	●
0.73 (0.93)	0.70 (0.92)	880 (28.9)	1,010 (33.1)	●	●
1.03 (1.35)	0.90 (1.18)	1,010 (33.1)	1,100 (36.1)	●	■
1.08 (1.41)	0.95 (1.24)	1,100 (36.1)	1,250 (41.3)	●	▲
1.50 (1.96)	1.30 (1.70)	1,490 (45.7)	1,610 (63.4)	●	■
◆ 1.07 (1.40)	0.85 (1.12)	1,170 (34.6)	-	●	●
◆ 1.15 (1.50)	1.00 (1.31)	1,210 (47.6)	-	●	●
◆ 1.27 (1.66)	1.10 (1.44)	1,310 (51.6)	-	●	●
◆ 1.41 (1.91)	1.20 (1.67)	1,460 (57.5)	-	■	▲
● 1.16 (1.52)	1.00 (1.31)	1,340 (52.8)	-	●	■
● 1.07 (1.40)	0.85 (1.12)	1,290 (50.8)	1,410 (55.5)	●	■

◆ Heavy duty bucket
● Rock heavy duty bucket

● : Applicable for materials with density of 2,000 kg /m³ (3,370 lb/ yd³) or less
■ : Applicable for materials with density of 1,600 kg /m³ (2,700 lb/ yd³) or less
▲ : Applicable for materials with density of 1,100 kg /m³ (1,850 lb/ yd³) or less

ATTACHMENT

Booms and arms are welded with a low-stress, full-box section design. 5.85m Boom and 2.1m, 2.5m, 3.05m & 3.6m Arms are available.

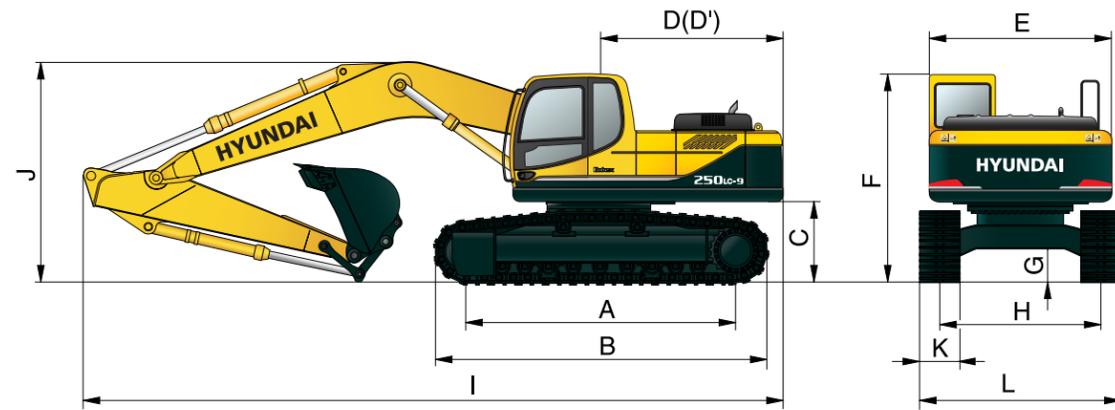
DIGGING FORCE

Boom	Length	mm(ft-in)	5,850 (19' 2")				Remark
	Weight	kg(lb)	2,280 (5,030)				
Arm	Length	mm(ft-in)	2,100 (6' 11")	2,500 (8' 2")	3,050 (10' 0")	3,600 (11' 10")	
	Weight	kg(lb)	1,420 (3,130)	1,450 (3,200)	1,540 (3,400)	1,600 (3,530)	
Bucket digging force	SAE	kN	154 [167.2]	154 [167.2]	154 [167.2]	154 [167.2]	
		kgf	15700 [17080]	15700 [17080]	15700 [17080]	15700 [17080]	
		lbf	34610 [37580]	34610 [37580]	34610 [37580]	34610 [37580]	
	ISO	kN	175.5 [190.6]	175.5 [190.6]	175.5 [190.6]	175.5 [190.6]	
		kgf	17900 [19430]	17900 [19430]	17900 [19430]	17900 [19430]	
		lbf	39460 [42840]	39460 [42840]	39460 [42840]	39460 [42840]	
Arm crowd force	SAE	kN	134.4 [145.9]	128.5 [139.5]	114.7 [124.6]	103.0 [111.8]	[]: Power Boost
		kgf	13700 [14870]	13100 [14220]	11700 [12700]	10500 [11400]	
		lbf	30200 [32790]	28880 [31360]	25790 [28000]	23150 [25130]	
	ISO	kN	139.3 [151.2]	133.4 [144.8]	118.7 [128.8]	106.9 [116.1]	
		kgf	14200 [15420]	13600 [14770]	12100 [13100]	10900 [11830]	
		lbf	31310 [33990]	29980 [32550]	26680 [28970]	24030 [26090]	

Note: Boom weight includes arm cylinder, piping, and pin
Arm weight includes bucket cylinder, linkage, and pin

Dimensions & Working Range

R250LC-9 / R250NLC-9 DIMENSIONS

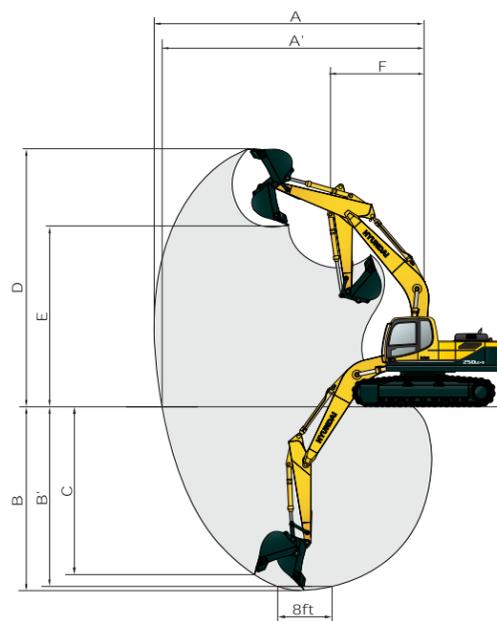


Unit : mm (ft · in)

A Tumbler distance	R250LC-9	3,830 (12' 7")
	R250NLC-9	3,830 (12' 7")
B Overall length of crawler		4,640 (15' 3")
C Ground clearance of counterweight		1,115 (3' 8")
D Tail swing radius		2,975 (9' 9")
D' Rear-end length		2,870 (9' 5")
E Overall width of upperstructure		2,840 (9' 4")
F Overall height of cab		2,990 (9' 10")
G Min. ground clearance		480 (1' 7")
H Track gauge	R250LC-9	2,580 (8' 6")
	R250NLC-9	2,380 (7' 10")

Boom length	5,850 (19' 2")			
Arm length	2,100 (6' 11")	2,500 (8' 2")	3,050 (10' 0")	3,600 (11' 10")
I Overall length	10,050 (33' 0")	10,000 (32' 10")	9,920 (32' 7")	9,910 (32' 6")
J Overall height of boom	3,530 (11' 7")	3,590 (11' 9")	3,220 (10' 7")	3,590 (11' 9")
K Track shoe width	600 (24")	700 (28")	800 (32")	900 (36")
L Overall width	R250LC-9	3,180 (10' 5")	3,280 (10' 9")	3,380 (11' 1")
	R250NLC-9	2,980 (9' 9")	-	-

R250LC-9 / R250NLC-9 WORKING RANGE

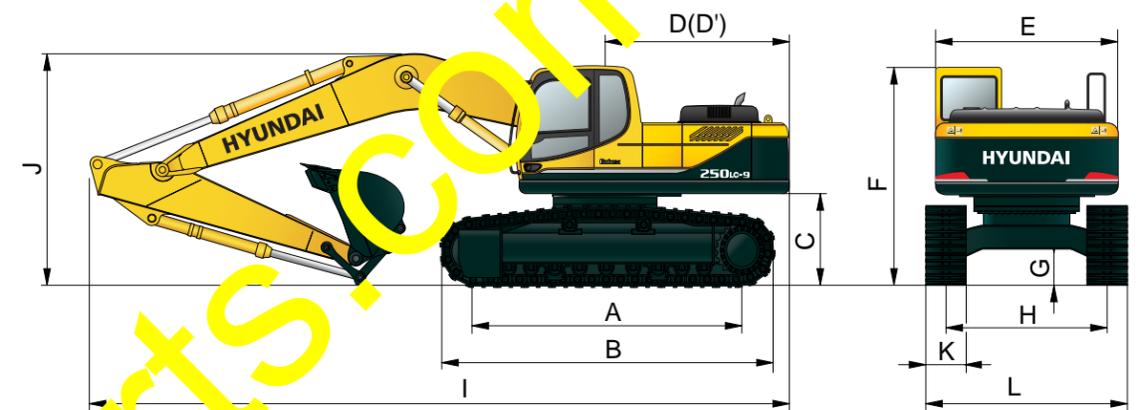


Unit : mm (ft · in)

Boom length	5,850 (19' 2")			
Arm length	2,100 (6' 11")	2,500 (8' 2")	3,050 (10' 0")	3,600 (11' 10")
A Max. digging reach	9,550 (31' 4")	9,870 (32' 5")	10,360 (34' 0")	10,870 (35' 8")
A' Max. digging reach on ground	9,360 (30' 9")	9,680 (31' 9")	10,190 (33' 5")	10,700 (35' 1")
B Max. digging depth	6,050 (19' 10")	6,420 (21' 2")	7,000 (22' 0")	7,550 (24' 9")
B' Max. digging depth (8' level)	5,840 (19' 2")	6,150 (20' 2")	6,830 (22' 5")	7,400 (24' 3")
C Max. vertical wall digging depth	5,480 (18' 0")	5,640 (18' 6")	6,150 (20' 2")	6,830 (22' 5")
D Max. digging height	9,450 (31' 0")	9,760 (31' 9")	9,670 (31' 9")	9,920 (32' 7")
E Max. dumping height	6,360 (20' 10")	6,420 (21' 1")	6,630 (21' 9")	6,860 (22' 6")
F Min. swing radius	4,140 (13' 7")	4,200 (13' 9")	3,980 (13' 1")	3,900 (12' 10")

Dimensions & Working Range

R250LC-9 HIGH WALKER DIMENSIONS



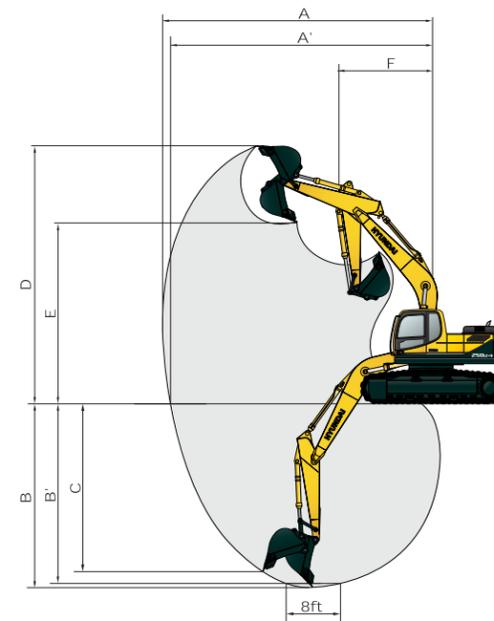
Unit : mm (ft · in)

A Tumbler distance	4,030 (13' 3")
B Overall length of crawler	4,940 (16' 2")
C Ground clearance of counterweight	1,470 (4' 10")
D Tail swing radius	2,975 (9' 9")
D' Rear-end length	2,870 (9' 5")
E Overall width of upperstructure	2,840 (9' 4")
F Overall height of cab	3,345 (11' 0")
G Min. ground clearance	765 (2' 6")
H Track gauge	2,790 (9' 2")

Boom length	5,850 (19' 2")				
Arm length	2,100 (6' 11")	2,500 (8' 2")	3,050 (10' 0")	3,600 (11' 10")	
I Overall length	10,060 (33' 0")	9,970 (32' 9")	9,760 (32' 0")	9,930 (32' 7")	
J Overall height of boom	3,610 (11' 10")	3,750 (12' 4")	3,240 (10' 8")	3,620 (11' 11")	
K Track shoe width	Type	Triple grouser			Double grouser
	Width	600 (24")	700 (28")	800 (32")	700 (28")
L Overall width	3,390 (11' 1")	3,490 (11' 5")	3,590 (11' 9")	3,490 (11' 5")	

R250LC-9 HIGH WALKER WORKING RANGE

Unit : mm (ft · in)



Boom length	5,850 (19' 2")			
Arm length	2,100 (6' 11")	2,500 (8' 2")	3,050 (10' 0")	3,600 (11' 10")
A Max. digging reach	9,550 (31' 4")	9,870 (32' 5")	10,360 (34' 0")	10,870 (35' 8")
A' Max. digging reach on ground	9,280 (30' 5")	9,160 (31' 6")	10,110 (33' 2")	10,360 (34' 11")
B Max. digging depth	5,680 (18' 8")	6,080 (19' 11")	6,630 (21' 9")	7,180 (23' 7")
B' Max. digging depth (8' level)	5,470 (17' 11")	5,890 (19' 4")	6,460 (21' 2")	7,030 (23' 1")
C Max. vertical wall digging depth	5,120 (16' 10")	5,300 (17' 5")	5,790 (19' 0")	6,470 (21' 3")
D Max. digging height	9,820 (32' 3")	9,840 (32' 3")	10,040 (32' 11")	10,280 (33' 9")
E Max. dumping height	6,730 (22' 1")	6,790 (22' 3")	7,000 (23' 0")	7,220 (23' 8")
F Min. swing radius	4,140 (13' 7")	4,030 (13' 3")	3,940 (12' 11")	3,900 (12' 10")

Lifting Capacity

R250LC-9

Rating over-front Rating over-side or 360 degree

Boom : 5.85m (19' 2") / Arm : 2.10 m (6' 11") / Bucket : 1.08 m³ (1.41 yd³) SAE heaped / Shoe : 600mm (24") triple grouser with 4,600kg (10,140 lb) Counterweight

Load point height m(ft)		Load radius								At max. reach				
		3.0 m (10.0ft)		4.5 m (15.0ft)		6.0 m (20.0ft)		7.5 m (25.0ft)		Capacity		Reach		
												m (ft)		
6.0 m (20.0 ft)	kg									*5790	*5790	5220	3200	8.32
	lb									*12760	*12760	11510	7050	(27.3)
4.5 m (15.0 ft)	kg			*7810	*7810	*6510	5570	*6000	3690	4520	2710	4520	2710	8.91
	lb			*17220	*17220	*14350	12280	*13230	8140	9960	5970	9960	5970	(29.2)
3.0 m (10.0 ft)	kg			*10260	8200	*7600	5190	5900	3550	4210	2480	4210	2480	9.17
	lb			*22620	18080	*16760	11440	13010	7830	9280	5470	9280	5470	(30.1)
1.5 m (5.0 ft)	kg			*12300	7520	8250	4850	5720	3380	4170	2430	4170	2430	9.14
	lb			*27120	16580	18190	10690	12610	7450	9190	5360	9190	5360	(30.0)
Ground	kg			13110	7250	8010	4640	5600	3270	4410	2580	4410	2580	8.80
Line	lb			28900	15980	17660	10230	12350	7210	9720	5690	9720	5690	(28.9)
-1.5 m (-5.0 ft)	kg	*15460	15160	13090	7230	7940	4580			5060	2990	5060	2990	8.13
	lb	*34080	33420	28860	15940	17500	10100			11160	6590	11160	6590	(26.7)
-3.0 m (-10.0 ft)	kg	*17100	15470	*12090	7390	8050	4680			*6290	3980	*6290	3980	6.98
	lb	*37700	34110	*26650	16290	17750	10320			*13870	8770	*13870	8770	(22.9)
-4.5 m (-15.0 ft)	kg	*13360	*13360	*9460	7790									
	lb	*29450	*29450	*20860	17170									

Boom : 5.85m (19' 2") / Arm : 2.50 m (8' 2") / Bucket : 1.08 m³ (1.41 yd³) SAE heaped / Shoe : 600mm (24") triple grouser with 4,600kg (10,140 lb) Counterweight

Load point height m(ft)		Load radius								At max. reach				
		1.5 m (5.0ft)		3.0 m (10.0ft)		4.5 m (15.0ft)		6.0 m (20.0ft)		7.5 m (25.0ft)		Capacity		Reach
														m (ft)
6.0 m (20.0 ft)	kg											4900	3000	8.67
	lb											10800	6610	(28.4)
4.5 m (15.0 ft)	kg							*6070	5670	*5630	3770	4280	2550	9.23
	lb							*13380	12500	*12410	8310	9440	5620	(30.3)
3.0 m (10.0 ft)	kg					*9550	8410	*7210	5280	5950	3590	3990	2340	9.48
	lb					*21050	18540	*15900	11640	13120	7910	8800	5160	(31.1)
1.5 m (5.0 ft)	kg					*11790	7650	8310	4910	5750	3410	3950	2290	9.45
	lb					*25990	16870	18320	10820	12680	7520	8710	5050	(31.0)
Ground	kg					*12990	7280	8030	4660	5600	3270	4150	2410	9.13
Line	lb					*28640	16050	17700	10270	12350	7210	9150	5310	(30.0)
-1.5 m (-5.0 ft)	kg			*15100	14960	13050	7190	7910	4560	5550	3220	4690	2750	8.49
	lb			*33290	32980	28770	15850	17440	10050	12240	7100	10340	6060	(27.9)
-3.0 m (-10.0 ft)	kg	*16360	*16360	*18120	15250	*12470	7300	7970	4610			5940	3550	7.41
	lb	*36070	*36070	*39950	33620	*27490	16090	17570	10160			13100	7830	(24.3)
-4.5 m (-15.0 ft)	kg			*14860	*14860	*10430	7620							
	lb			*32760	*32760	*22990	16800							

Boom : 5.85m (19' 2") / Arm : 3.05 m (10' 0") / Bucket : 1.08 m³ (1.41 yd³) SAE heaped / Shoe : 600mm (24") triple grouser with 4,600kg (10,140 lb) Counterweight

Load point height m(ft)		Load radius								At max. reach				
		1.5 m (5.0ft)		3.0 m (10.0ft)		4.5 m (15.0ft)		6.0 m (20.0ft)		7.5 m (25.0ft)		Capacity		Reach
														m (ft)
6.0 m (20.0 ft)	kg									*3700	*3700	4400	2660	9.22
	lb									*8190	*8190	9700	5860	(30.2)
4.5 m (15.0 ft)	kg							*5350	*5350			5380	2280	9.74
	lb							*11790	*11790			11960	5030	(32.0)
3.0 m (10.0 ft)	kg			*13640	*13640	*8400	*8400	*6540	5360	5660	3620	3630	2090	9.98
	lb			*30070	*30070	*18520	*18520	*14420	11820	*13480	7980	8000	4610	(32.7)
1.5 m (5.0 ft)	kg			*9450	*9450	*10870	7800	*7820	4950	5700	3400	3580	2040	9.95
	lb			*20830	*20830	*23960	17200	*17240	10910	12600	7500	7890	4500	(32.6)
Ground	kg			*10570	*10570	*12490	7280	8010	4640	5560	3230	3730	2130	9.65
Line	lb			*23300	*23300	*27540	16050	17660	10230	12350	7210	8220	4700	(31.7)
-1.5 m (-5.0 ft)	kg	*9940	*9940	*13870	*13870	12930	7090	7830	4480	5300	3140	4150	2390	9.05
	lb	*21910	*21910	*30580	*30580	28510	15630	17260	9880	12040	6920	9150	5270	(29.7)
-3.0 m (-10.0 ft)	kg	*13540	*13540	*18430	14860	*12780	7110	7720	4470			5080	2980	8.06
	lb	*29850	*29850	*40630	32760	*28180	15670	17040	9840			11200	6570	(26.4)
-4.5 m (-15.0 ft)	kg	*17830	*17830	*16580	15340	*11360	7300	8000	4700			*5940	4480	6.48
	lb	*39310	*39310	*36550	33820	*25040	16180	17680	10230			*13100	9880	(21.3)

- Lifting capacity is based on SAE J1097, ISO 10567.
- Lifting capacity of the Robex Series does not exceed 75% of the tipping load with the machine on firm, level ground or 87% of full hydraulic capacity.
- The load point is a hook located on the back of the bucket.
- (*) indicates the load limited by hydraulic capacity.

Lifting Capacity

R250LC-9

Rating over-front Rating over-side or 360 degree

Boom : 5.85m (19' 2") / Arm : 3.60 m (11' 10") / Bucket : 1.08 m³ (1.41 yd³) SAE heaped / Shoe : 600mm (24") triple grouser with 4,600kg (10,140 lb) Counterweight

Load point height m(ft)		Load radius								At max. reach									
		1.5 m (5.0ft)		3.0 m (10.0ft)		4.5 m (15.0ft)		6.0 m (20.0ft)		7.5 m (25.0ft)		9.0 m (30.0ft)		Capacity		Reach			
																		m (ft)	
6.0 m (20.0 ft)	kg																		
	lb																		
4.5 m (15.0 ft)	kg																		
	lb																		
3.0 m (10.0 ft)	kg																		
	lb																		
1.5 m (5.0 ft)	kg																		
	lb																		
Ground	kg																		
Line	lb																		
-1.5 m (-5.0 ft)	kg	*9010	13100																
	lb	*19860	*29100																
-3.0 m (-10.0 ft)	kg	*12120	*12120	*16820	14680	12880	7040	7750	4400	5390	3070								
	lb	*26720	*26720	*37080	32360	28400	15520	17090	9700	11880	6770								
-4.5 m (-15.0 ft)	kg	*15830	*15830	*11340	15050	*12020	7180	7850	4490										
	lb	*34900	*34900	*24950	33180	*26500	15830	17310	9900										

R250NLC-9

Boom : 5.85m (19' 2") / Arm : 2.10 m (6' 11") / Bucket : 1.08 m³ (1.41 yd³) SAE heaped / Shoe : 600mm (24") triple grouser with 4,600kg (10,140 lb) Counterweight

Load point height m(ft)		Load radius								At max. reach									
		3.0 m (10.0ft)		4.5 m (15.0ft)		6.0 m (20.0ft)		7.5 m (25.0ft)		Capacity		Reach							
												m (ft)							
6.0 m (20.0 ft)	kg																		
	lb																		
4.5 m (15.0 ft)	kg																		
	lb																		
3.0 m (10.0 ft)	kg																		
	lb																		
1.5 m (5.0 ft)	kg																		
	lb																		
Ground	kg																		
Line	lb																		
-1.5 m (-5.0 ft)	kg	*15460	13120	13030	6390	7900	4060												
	lb	*34080	28920	28730	14090	17420	8950												
-3.0 m (-10.0 ft)	kg	*17100	13420	*12090	6540	8020	4160												
	lb	*37700	29590	*26650	14420	17680	9170												
-4.5 m (-15.0 ft)	kg	*13360	*13360	*9460	6930														
	lb	*29450	*29450</																

