

STANDARD EQUIPMENT

ISO Standard cabin
All-weather steel cab with 360° visibility
Safety glass windows
Rise-up type windshield wiper
Sliding fold-in front window
Sliding side window
Lockable door
Hot & cool box
Storage compartment & Ashtray
Transparent cabin roof-cover
CD/MP3 Player
Handsfree mobile phone system with USB
Sun visor
Computer aided power optimization (New CAPO) system
3-power mode, 3-work mode, User mode
Auto deceleration & one-touch deceleration system
Auto warm-up system
Auto overheat prevention system
Automatic climate control
Air conditioner & heater
Defroster
Self-diagnostics system
Starting Aid (air grid heater) for cold weather
Centralized monitoring
LCD display
Engine speed or Trip meter/Accel.
Clock
Gauges
Fuel level gauge
Engine coolant temperature gauge
Hyd. oil temperature gauge
Warnings
Check Engine
Overload
Communication error
Low battery
Air cleaner clogging
Indicators
Max power
Low speed/High speed
Fuel warmer
Auto idle/Auto cruise
Door and cab locks, one key
Two outside rearview mirrors
Fully adjustable suspension seat with seat belt
Pilot-operated slidable joystick
Console box tilting system (LH.)
Three frontal working lights
Electric horn
Batteries (2 x 12V x 80 AH)
Battery master switch
Removable clean-out screen for oil cooler
Automatic swing brake
Removable reservoir tank
Fuel pre-filter with fuel warmer
Boom holding system
Arm holding system
Counterweight (2,000kg, 4,410lb)
Track shoes (600mm, 24")
Track rail guard
Viscous fan clutch
Accumulator for lowering work equipment
Electric transducer

OPTIONAL EQUIPMENT

Fuel filler pump (50 L/min)
Beacon lamp
Safety lock valve for boom cylinder with overload warning device
Safety lock valve for arm cylinder
Single-acting piping kit (breaker, etc.)
Double-acting piping kit (clamshell, etc.)
Quick coupler
12 volt power outlet (24V DC to 12V DC converter)
Travel alarm
Booms
Short boom (4.1m, 13' 5")
Hyd. adjustable boom (4.9m, 16' 1")
Arms
Super short arm (1.9m, 6' 3")
Short arm (2.1m, 6' 11")
Long arm (3.0m, 9' 10")
Cabin FOPS/FOG (ISO/DIS 10262)
FOPS (Falling Object Protective Structure)
FOG (Falling Object Guard)
Cabin roof-steel cover
Cabin lights
Cabin front window rain guard
Track shoes
Triple grousers shoe (500mm, 20")
Triple grousers shoe (700mm, 28")
Triple grousers shoe (800mm, 32"), R140LCM-9
Double grousers shoe (710mm, 28"), R140LCM-9
R140LCD-9 Blade : 550mm(1' 8") x 2,500mm(8' 2")
550mm(1' 8") x 2,600mm(8' 6")
Lower frame under-cover
Pre-heating system, coolant
Tool kit
Operator suit
Rearview camera
Seat
Adjustable air suspension seat
Adjustable air suspension seat with heater
Mechanical suspension seat with heater
Pattern change valve (4 patterns)
Hi-mate (Remote Management System)

Standard and optional equipment may vary. Contact your Hyundai dealer for more information. The machine may vary according to International standards. All imperial measurements rounded off to the nearest pound or inch.

PLEASE CONTACT

www.hyundai-ce.com

2008.12 Rev 0

HYUNDAI HEAVY INDUSTRIES CO., LTD. CONSTRUCTION EQUIPMENT

Head Office (Sales Office)
YONGIN-DAE-DONG, DONG-GU, ULSAN, KOREA Tel (82) (52) 202-7970, 7729, 0971 Fax (82) (52) 202-7979, 7720

U.S. Operation : Hyundai Construction Equipment U.S.A., Inc.
955 ESTES AVENUE, ELK GROVE VILLAGE IL, 60007 Tel (1) 847-437-3333 Fax (1) 847-437-3574

European Operation : Hyundai Heavy Industries Europe N.V.
VOSSENDAAL 11, 2440 GEEL, BELGIUM Tel (32) 14-56-2200 Fax (32) 14-59-3405

India Operation : Hyundai Construction Equipment India Pvt., Ltd
PLOT NO.A-2, CHAKAN INDUSTRIAL AREA, VILL.- KHALUMBRE,
TALUK.- KHED, DIST.-PUNE 410 501, INDIA Tel (91) 21-3530-1700 Fax (91) 21-3530-1712

We build a better future

Robex

140LC-9

With Tier 3 Engine in Standard



*Photo may include optional equipment.

 **HYUNDAI**
HEAVY INDUSTRIES CO., LTD.

Robex 140LC-9

**BUILT FOR MAXIMUM POWER,
PERFORMANCE, AND RELIABILITY.**

A new chapter in construction equipment has begun.



Hi-mate
Remote Management System

Hi-mate, Hyundai's newly developed remote management system, utilizes in GPS-satellite technology, to provide our customers with the highest level of service and product support available. Hi-mate enables a dealer or end user to remotely evaluate machine performance, access diagnostic information and verify machine location at the touch of a button.

*Photo may include optional equipment.

Cabin Design Technology

The fully re-designed cabin offers low noise operation and increased visibility, providing a pleasant working environment for the operator.

Ergonomic Joystick

New joystick grips offering precise control are equipped with 4 switches.



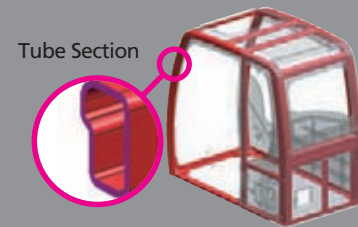
Wide Cabin with Excellent Visibility

The cabin is roomy and ergonomically designed with low noise levels and good visibility. A full-view front window and large rear and side windows provide excellent visibility in all directions.



Enhanced Structure

The operators' cabin tube-structure thickness has been improved for optimum safety.



- 1 Handsfree mobile phone with USB connector
- 2 Small cup holders and ashtray
- 3 MP3/CD Player with remote control
- 4 Seat heater (Optional)
- 5 Storage compartment
- 6 Additional storage area



*Photo may include optional equipment.



Centralized Operation Buttons



Sunroof with Sliding Cover



Increased Tilt Angle of Operator's Seat



Rear Window Emergency Exit



Window Locking Device

Improved Performance & Safety Features

Overcome the limits with Robex 9



*Photo may include optional equipment.



Track Rail Guard & Adjusters

Durable track rail guards keep track links in place. Track adjustment is made easy with standard grease cylinder track adjusters and shock absorbing springs.

Mitsubishi D04FD-TAA Engine

The four cylinders turbocharged and charged air cooled engine is built for power, reliability and economy. This engine meets EPA Tier 3 and EU Stage 3A emission regulations.



Reliability You Can Depend On

When you have a tough job to do you need the power precision and flexibility of Mitsubishi D04FD-TAA engines. It features major enhancements to make every piece of equipment work harder, smarter, quieter and longer. The high Pressure Common Rail Fuel System provides enhanced engine performance with higher torque and better throttle response at every rpm without compromising fuel economy. The Mitsubishi D04FD-TAA engine is based on the highly successful Mitsubishi SK series engines. These engines combine proven full authority electronic controls with reliable performance you expect from one of the most successful and durable engine design.



Strong and Stable Lower Frame

The reinforced box-section frame is welded using low-stress, high-strength steel. The X-leg type center frame is integrally welded for maximum strength and durability.



- 1 Reinforced Bucket and Bucket Linkage
Sealed and adjustable bucket linkage produces less wear of pins and bushes and offers silent operation.
- 2 Dial-Type Engine Speed Switch
- 3 Power Boost Control System



Rearview Camera (Optional)



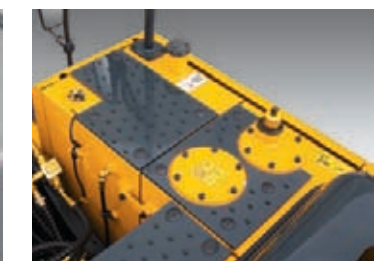
Safety Lever



Master Switch



Anti Restart System



Anti-Slip Plates

<http://thespareparts.com>

Newly Designed Hydraulic System

Powerful and precise swing control

Advanced CAPO System

The advanced CAPO (Computer Aided Power Optimization) system tunes engine and pump power to optimum levels. Multiple mode selections are available for various work loads, maintaining high performance while reducing fuel consumption. Features include auto deceleration and power boost. The system monitors engine speed, coolant and hydraulic oil temperature. Contained within the system are self-diagnostic capabilities which display error codes on the monitor.

New larger display (7inch Wide LCD)

The instrument Panel is installed in front of RH console box, making it easy to check all critical systems via easy-to-read indicators.



Multi Function Wide Color LCD Monitor



Intelligent main screen lay-out (2 layer)



- 1 Power Modes: P-Max Power/S-Standard Power/E-Economy Power
- 2 Work Modes: Digger/Breaker/Crusher
- 3 User Mode: Saved Operator-Preferred Power Settings
- 4 Self-Diagnostics System
- 5 Maintenance List & Security Password
- 6 Rearview camera (Optional)

- Caution Light
- 1 Engine Water Temperature Gauge
- 2 Fuel Gauge
- 3 Hyd. Oil Temperature Gauge
- 4 RPM/Tripmeter Display Window
- 5 Accel Dial Gauge Bar
- Select Power Button Window
- Select Work Button Window
- Select Attachment Mode Window
- Notice Light
- Select Travel Window
- Select Auto Idle Window



Optimized Hydraulic Performance

The pump output capacity has been increased.

Auto Deceleration System

When the remote-control valves are in the neutral position for more than 4 seconds, the CPU controller instructs the accel. actuator to reduce engine speed to 1,000rpm. And 60 seconds later, engine speed is reduced to low idle automatically. This decreases fuel consumption and reduces cab noise levels.

Boom & Arm Holding System

The holding valves in the main control valve prevent boom & arm lowering during an extended period in the neutral position.

Boom & Arm Flow Regeneration System

The flow regeneration valve provides smooth and fast operation without cylinder cavitation.

Hydraulically Dampened Travel Pedal

Improved travel controllability & smoother travel has been achieved via shock reducing components.

Pump Flow Control System

When in neutral, the pump flow is minimized to reduce power loss.

During operation, maximum pump flow is delivered to the actuator to increase speed. Movement of the control lever automatically adjusts pump flow, with cylinder speed controlled proportionally.

Power Boost Control System

In power mode, the digging force increases about 10%.

One-Touch Decel. System

When the one-touch decel. switch is engaged, the CPU controller limits the accel. actuator to an 800rpm idle. When the one-touch decel. Switch is disengaged, the engine speed recovers to its preset rpm.

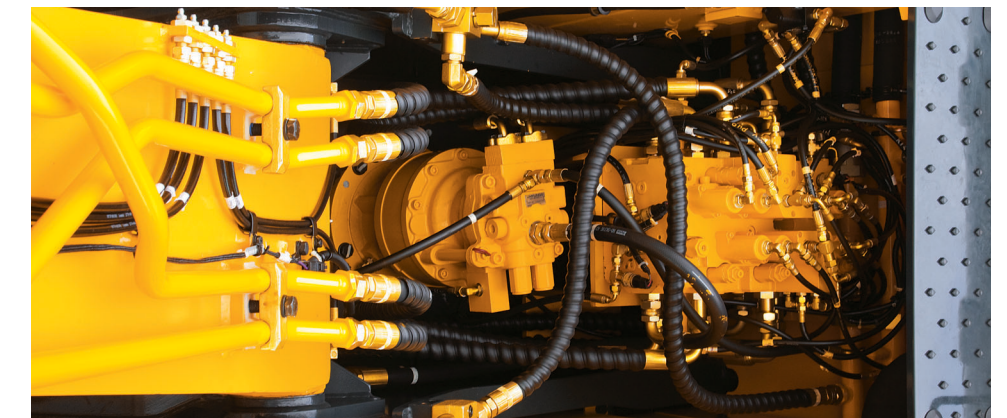
Self-Diagnostics System

The CPU controller diagnoses problems in the CAPO system caused by electric and hydraulic malfunctions and displays the corresponding displayed on the cluster LCD monitor error codes. The information via this device, including engine rpm, main pump delivery pressure, battery voltage, hydraulic temperature and the status of electric switches, allows the operator to know the exact operating conditions of the machine.

This makes it easier to troubleshoot any problems that occur.

Attachment Flow Control System

Attachment mode provides adequate hydraulic pump flow to each work tool, preventing excess flow and ensuring the regular performance.



Automatic Engine Overheat Prevention



Automatic Warm-Up System

Reliability & Maintenance

Lubrication Fittings

All lube fittings are centralized and in close proximity to each other for easy service.

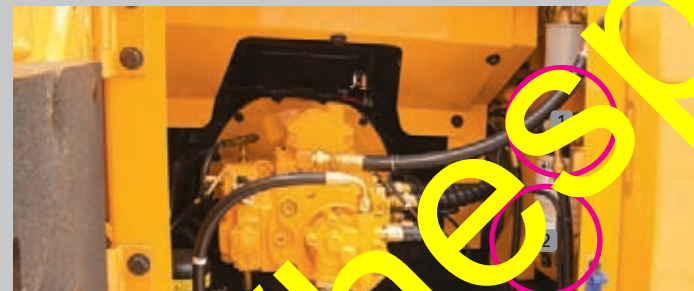
Easy to Maintain Engine Components

The cooling and pre-heating systems are designed for optimal and immediate operation, guaranteeing longer engine and hydraulic components life. Servicing the engine and the hydraulics has been considerably simplified due to accessibility.



Side Cover with Left & Right Swing Open Type

Unrestricted access to vital components allows easy maintenance and repair.



Filter with Extended Exchange Interval

1 Drain Filter(1,000hr) 2 Fuel Pre-filter(500hr)



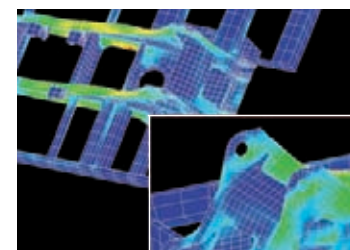
Centralized Electric Control Box



Easy to Change Air Cleaner Assembly



Large Compartment for Extra Storage



Structure Durability Proven via FEM (Finite Element Method) Analysis and Long-Term Durability Tests.

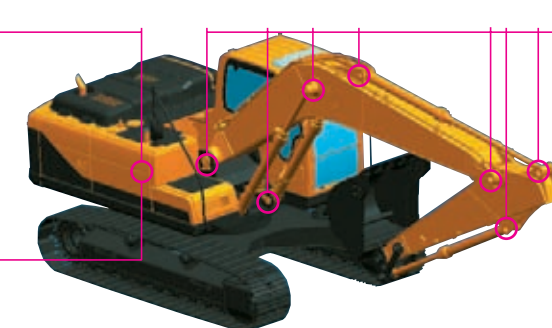
Extended Hydraulic Filter Life

Filters with extended exchange intervals (250hr → 1,000 hr, Fiber glass)



Extended Hydraulic Oil Life

(2,000hr → 5,000 hr, Increase Protection From Oxidization & Heat)



Extended Lubricant Bush Life & Ultra High Molecular Weight Polymer Shim

(Wear Resistant & Noise Reducing)

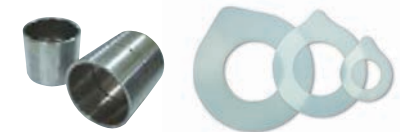


Photo may include optional equipment.

Specifications

ENGINE

MODEL	Mitsubishi D04FD-TAA		
Type	Water-cooled, 4-cycle Diesel, 4-Cylinder in-line, Direct injection, Turbocharged, Charge air cooled, Low emission		
Rated flywheel horse power	SAE	J1995 (gross)	119 HP (89 kW)/ 2,000 rpm
		J1349 (net)	113 HP (85 kW)/ 2,000 rpm
Rated power	DIN	6271/1 (gross)	121 PS (89 kW)/ 2,000 rpm
		6271/1 (net)	115 PS (85 kW)/ 2,000 rpm
Max. torque	45.4 kgf·m(328 lbf·ft)/ 1,700 rpm		
Bore X stroke	102 x 130 mm (4.01" x 5.12")		
Piston	4,249cc (259 in ³)		
Batteries	2 X 12V X 100AH		
Starting motor	24V- 5.0kW		
Alternator	24V- 50Amp		

HYDRAULIC SYSTEM

MAIN PUMP	Two variable displacement piston pumps	
Type	Two variable displacement piston pumps	
Rated flow	2 X 123.5L /min (32.6 US gpm / 27.2 UK gpm)	
Sub-pump for pilot circuit	Gear pump	
Cross-sensing and fuel saving pump system.		

HYDRAULIC MOTORS

Travel	Two speed axial pistons motor with brake valve and parking brake
Swing	Axial piston motor with automatic brake

RELIEF VALVE SETTING

Implement circuits	350 kgf/cm ² (4,978 psi)
Travel	350 kgf/cm ² (4,978 psi)
Power boost (boom, arm, bucket)	380 kgf/cm ² (5,404 psi)
Swing circuit	265 kgf/cm ² (3,769 psi)
Pilot circuit	40 kgf/cm ² (568 psi)
Service valve	Installed

HYDRAULIC CYLINDERS

No. of cylinder bore X stroke	Boom: 2-105 X 1,075 mm (4.1" X 42.3")
	Arm: 1-115 X 1,138 mm (4.5" X 44.8")
	Bucket: 1-100 X 837 mm (3.9" X 33.0")
	Blade: 2-100 X 260 mm (3.9" X 10.2")
	2-PCS boom : 2-105 X 975 mm (4.1" X 38.4") Adjust(boom): 1-145 X 613 mm (5.7" X 24.1")

DRIVES & BRAKES

Drive method	Fully hydrostatic type
Drive motor	Axial piston motor, in-shoe design
Reduction system	Planetary reduction gear
Max. drawbar pull	13,300 kgf (29,320 lbf)
Max. travel speed(high) / (low)	5.5 km/hr (3.4 mph) / 3.2 km/hr (2.0 mph)
Gradeability	35° (70 %)
Parking brake	Multi wet disc

CONTROL

Pilot pressure operated joysticks and pedals with detachable lever provide almost effortless and fatigueless operation.

Pilot control	Two joysticks with one safety lever (LH): Swing and arm, (RH): Boom and bucket(ISO)
Traveling and steering	Two levers with pedals
Engine throttle	Electric, Dial type
Lights	Two lights mounted on the boom, one light mounted on the battery box

SWING SYSTEM

Swing motor	Two fixed displacement axial pistons motor
Swing reduction	Planetary gear reduction
Swing bearing lubrication	Grease-bathed
Swing brake	Multi wet disc
Swing speed	12.0 rpm

COOLANT & LUBRICANT CAPACITY

Refilling	liter	US gal	UK gal
Fuel tank	270.0	71.3	59.4
Engine coolant	15.5	4.1	3.4
Engine oil	17.5	4.6	3.8
Swing device-gear oil	2.5	0.66	0.55
Final drive(each)-gear oil	3.0	0.79	0.66
Hydraulic system(including tank)	210.0	55.5	46.2
Hydraulic tank	124.0	32.8	27.3

UNDERCARRIAGE

The X-leg type center frame is integrally welded with reinforced box-section track frames. The undercarriage includes lubricated rollers, idlers, track adjusters with shock absorbing springs and sprockets, and a track chain with double or triple grouser shoes.

Center frame	X - leg type	
Track frame	Pentagonal box type	
No. of shoes on each side	46	47
No. of carrier roller on each side	1	2
No. of track roller on each side	7	7
No. of rail guard on each side	2	2

OPERATING WEIGHT (APPROXIMATE)

Operating weight, including 4,600mm (15' 1") boom, 2,500mm (8' 2") arm, SAE heaped 0.58m³ (0.76 yd³) bucket, lubricant, coolant, full fuel tank, full hydraulic tank, and all standard equipments.

MAJOR COMPONENT WEIGHT

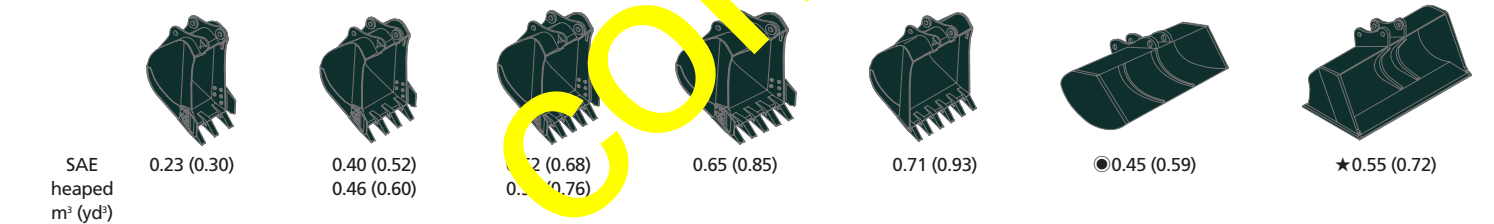
Upperstructure	3,820 kg (8,422 lb)
Counterweight	2,000 kg (4,409 lb)
Boom (with Arm cylinder)	1,030 kg (2,270 lb)

OPERATING WEIGHT

Shoes		Operating weight		Ground pressure	
Type	Width mm (in)	(kg)	(lb)	kgf/cm ² (psi)	
Triple grouser	500 mm (20")	R140LC-9	14,990(33,160)	0.43(6.11)	
		R140LC-9	14,990(33,160)	0.45(6.40)	
	600 mm (24")	R140LC-9	13,980(30,820)	0.36(5.12)	
		R140LC-9	14,800(32,630)	0.38(5.40)	
Double grouser	700 mm (28")	R140LC-9	14,210(31,330)	0.32(4.55)	
	800 mm (32")	R140LC-9	16,880(37,210)	0.32(4.55)	
Double grouser	710 mm (28")	R140LCM-9	16,880(37,210)	0.36(5.12)	

BUCKETS

All buckets are welded with high-strength steel.



Capacity m ³ (yd ³)	Width mm (in)	Height mm (in)	Recommendation mm (ft-in)										
			4,600 (15' 1") Boom			4,100 (13' 5") Boom		4,900 (16' 1") Adjustable Boom					
SAE heaped	CECE heaped	Width sidecutters	Width sidecutters	Height	1,900 (6' 3") Arm	2,100 (6' 11") Arm	2,500 (8' 2") Arm	3,000 (9' 10") Arm	1,900 (6' 3") Arm	2,100 (6' 11") Arm	1,900 (6' 3") Arm	2,100 (6' 11") Arm	2,500 (8' 2") Arm
0.23 (0.30)	0.20(0.26)	570(22.4)	610(24.4)	335(740)	●	●	●	■	●	●	●	●	●
0.40 (0.52)	0.35(0.46)	760(29.9)	860(33.9)	410(900)	●	●	●	■	●	●	●	●	●
0.46 (0.60)	0.40(0.53)	850(33.5)	950(37.4)	435(960)	●	●	●	▲	●	●	●	●	■
0.52 (0.68)	0.45(0.59)	930(36.8)	1,035(40.8)	460(1,010)	●	●	●	-	●	●	●	■	■
0.58 (0.76)	0.50(0.65)	1,030(40.5)	1,130(44.5)	480(1,060)	●	●	■	-	●	●	■	▲	▲
0.65 (0.85)	0.55(0.73)	1,110(43.7)	1,210(47.6)	500(1,100)	■	■	▲	-	●	■	▲	▲	-
0.71 (0.93)	0.60(0.78)	1,205(47.4)	-	540(1,190)	▲	▲	-	-	■	▲	▲	-	-
0.45 (0.59)	0.40(0.52)	1,520(59.8)	-	410(900)	●	●	■	-	●	●	■	■	▲
0.55 (0.72)	0.45(0.59)	1,800(70.9)	-	585(1,290)	■	■	▲	-	●	●	■	▲	▲

● Shape finish bucket
■ Ditching bucket

●: Applicable for materials with density of 2,000 kg /m³ (3,370 lb/ yd³) or less
■: Applicable for materials with density of 1,600 kg /m³ (2,700 lb/ yd³) or less
▲: Applicable for materials with density of 1,100 kg /m³ (1,850 lb/ yd³) or less

ATTACHMENT

Booms and arms are welded, a low-stress, full-box section design. 4.6m, 4.1m mono boom and 4.9m adjustable boom and 1.9m, 2.1m, 2.5m, 3.0m arms are available.

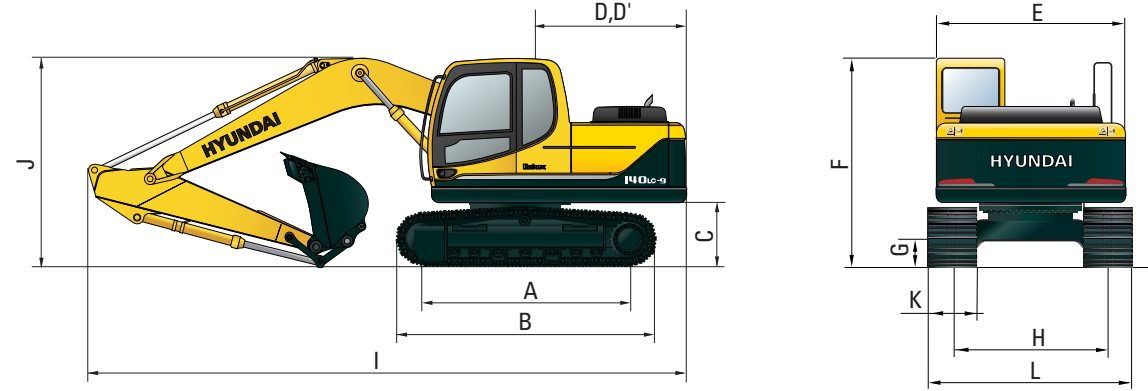
DIGGING FORCE

Boom	Length	mm (ft-in)	4,600 (15' 1")				Remarks			
			Weight	kg (lb)	1,300 (2,270)					
Arm	Length	mm (ft-in)	1,900 (6' 3")		2,100 (6' 11")		2,500 (8' 2")		3,000 (9' 10")	
			Weight	kg (lb)	560 (1,230)	580 (1,280)	610 (1,340)	670 (1,480)		
Bucket digging force	SAE	kN	87.3[94.8]		87.3[94.8]		87.3[94.8]		87.3[94.8]	
		kgf	8,900[9,660]		8,900[9,660]		8,900[9,660]		8,900[9,660]	
		lbf	19,620[21,300]		19,620[21,300]		19,620[21,300]		19,620[21,300]	
	ISO	kN	102[110.8]		102[110.8]		102[110.8]		102[110.8]	
		kgf	10,400[11,290]		10,400[11,290]		10,400[11,290]		10,400[11,290]	
		lbf	22,930[24,890]		22,930[24,890]		22,930[24,890]		22,930[24,890]	
Arm crowd force	SAE	kN	76.5[83.1]		73.6[79.9]		62.8[68.2]		55.9[60.7]	
		kgf	7,800[8,470]		7,500[8,140]		6,400[6,950]		5,700[6,190]	
		lbf	17,200[18,670]		16,530[17,950]		14,110[15,320]		12,570[13,640]	
	ISO	kN	80.4[87.3]		77.5[84.1]		65.7[71.4]		57.9[62.8]	
		kgf	8,200[8,900]		7,900[8,580]		6,700[7,270]		5,900[6,410]	
		lbf	18,080[19,630]		17,420[18,910]		14,770[16,040]		13,010[14,120]	

Note: Boom weight includes arm cylinder, piping, and pin
Arm weight includes bucket cylinder, linkage, and pin

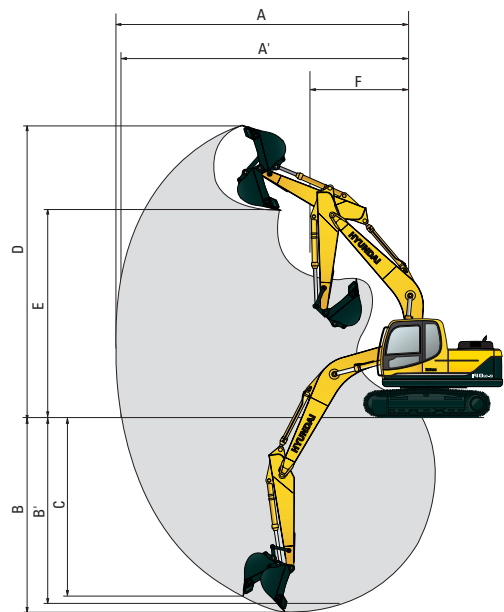
Dimensions & Working Range

R140LC-9 DIMENSIONS



mm (ft-in)		mm (ft-in)					
A Tumbler distance	3,000 (9' 10")	Boom length		4,600 (15' 1")		4,100 (13' 5")	
B Overall length of crawler	3,750 (12' 4")	Arm length		1,900 (6' 3")	2,100 (6' 11")	2,500 (8' 2")	3,000 (9' 10")
C Ground clearance of counterweight	935 (3' 1")	Overall length		7,810 (25' 7")	7,830 (25' 8")	7,800 (25' 7")	7,740 (25' 5")
D Tail swing radius	2,310 (7' 7")	Overall height of boom		2,640 (8' 8")	2,750 (9' 0")	2,760 (9' 1")	3,070 (10' 1")
D' Rear-end length	2,280 (7' 6")	Track shoe width		500 (20")	600 (24")	700 (28")	
E Overall width of upperstructure	2,500 (8' 2")	Overall width		2,500 (8' 2")	2,600 (8' 6")	2,700 (8' 10")	
F Overall height of cab	2,820 (9' 3")						
G Min. ground clearance	440 (1' 5")						
H Track gauge	2,000 (6' 7")						

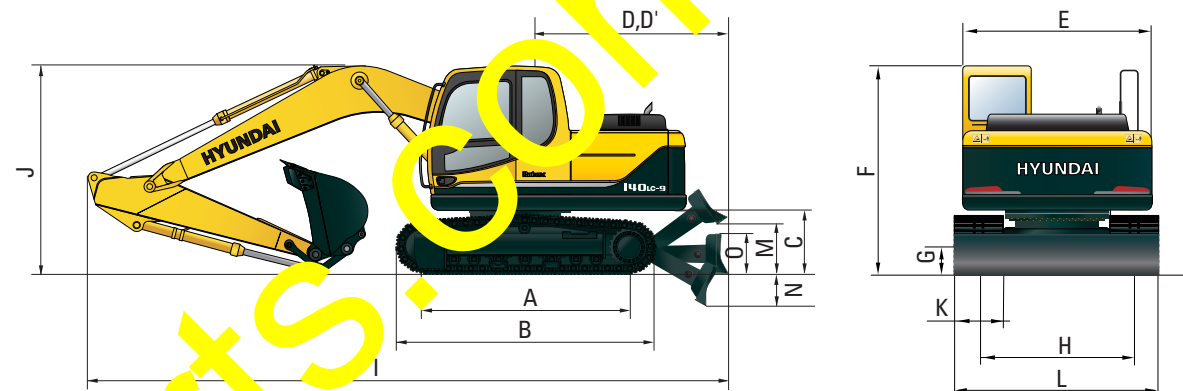
R140LC-9 WORKING RANGE



mm (ft-in)		mm (ft-in)					
Boom length		4,600 (15' 1")			4,100 (13' 5")		
Arm length		1,900 (6' 3")	2,100 (6' 11")	2,500 (8' 2")	3,000 (9' 10")	1,900 (6' 3")	2,100 (6' 11")
A Max. digging reach	7,750 (25' 5")	7,920 (26' 0")	8,340 (27' 4")	8,800 (28' 10")	7,250 (23' 9")	7,420 (24' 4")	
A' Max. digging reach on ground	7,600 (24' 11")	7,780 (25' 6")	8,200 (26' 11")	8,670 (28' 5")	7,100 (23' 4")	7,270 (23' 10")	
B Max. digging depth	5,000 (16' 5")	5,200 (17' 1")	5,600 (18' 4")	6,100 (20' 0")	4,570 (15' 0")	4,770 (15' 8")	
B' Max. digging depth (8' level)	4,730 (15' 6")	4,950 (16' 3")	5,390 (17' 8")	5,910 (19' 5")	4,310 (14' 2")	4,520 (14' 10")	
C Max. vertical wall digging depth	4,460 (14' 8")	4,590 (15' 1")	5,120 (16' 10")	5,660 (18' 7")	4,090 (14' 5")	4,220 (13' 10")	
D Max. digging height	8,060 (26' 5")	8,140 (26' 8")	8,520 (27' 11")	8,730 (28' 8")	7,660 (25' 2")	7,730 (25' 4")	
E Max. dumping height	5,630 (18' 6")	5,710 (18' 9")	6,080 (19' 11")	6,280 (20' 7")	5,220 (17' 2")	5,290 (17' 4")	
F Min. swing radius	2,620 (8' 7")	2,680 (8' 10")	2,620 (8' 7")	2,660 (8' 9")	2,350 (7' 9")	2,470 (8' 1")	

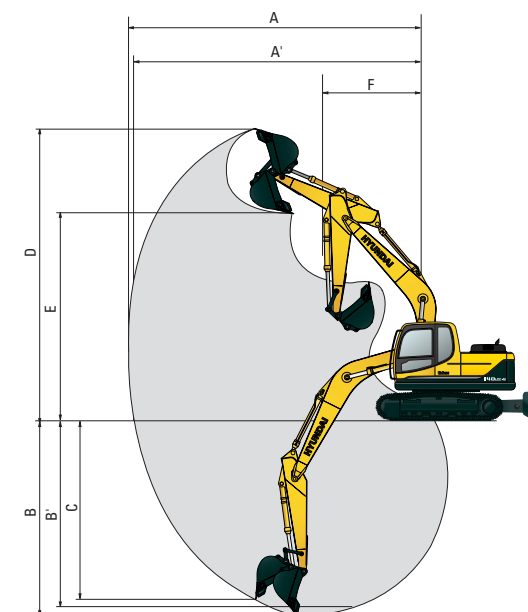
Dimensions & Working Range

R140LCD-9 DIMENSIONS



mm (ft-in)		mm (ft-in)					
A Tumbler distance	3,000 (9' 10")	Boom length		4,600 (15' 1")		4,100 (13' 5")	
B Overall length of crawler	3,750 (12' 4")	Arm length		1,900 (6' 3")	2,100 (6' 11")	2,500 (8' 2")	3,000 (9' 10")
C Ground clearance of counterweight	935 (3' 1")	Overall length		8,220 (27' 0")	8,240 (27' 0")	8,210 (26' 11")	8,150 (26' 9")
D Tail swing radius	2,310 (7' 7")	Overall height of boom		2,640 (8' 8")	2,750 (9' 0")	2,760 (9' 1")	3,070 (10' 1")
D' Rear-end length	2,280 (7' 6")	Track shoe width		500 (20")	600 (24")	700 (28")	
E Overall width of upperstructure	2,500 (8' 2")	Overall width		2,500 (8' 2")	2,600 (8' 6")	2,700 (8' 10")	
F Overall height of cab	2,820 (9' 3")						
G Min. ground clearance	440 (1' 5")						
H Track gauge	2,000 (6' 7")						
M Ground clearance of blade up	560 (1' 8")						
N Depth of blade down	500 (1' 6")						
O Height of blade	550 (1' 8")						
Width of blade	2,500 (8' 2") 2,600 (8' 6")						

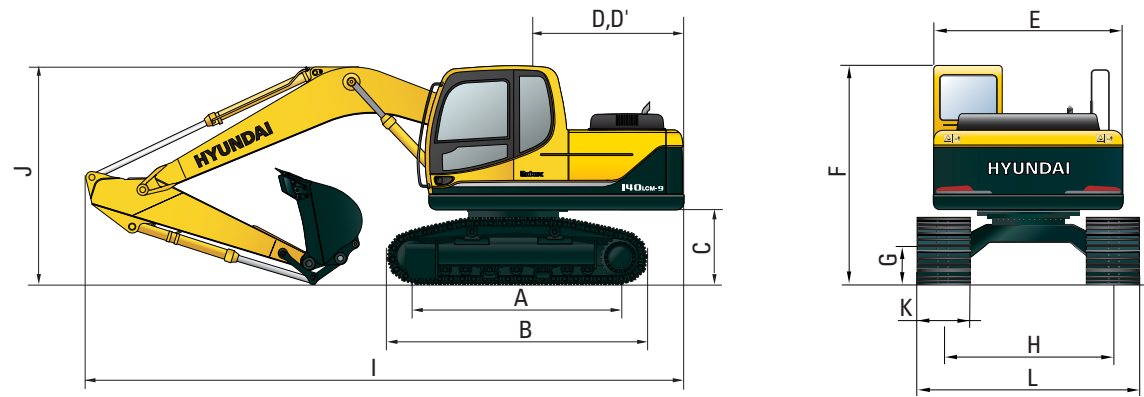
R140LCD-9 WORKING RANGE



mm (ft-in)		mm (ft-in)					
Boom length		4,600 (15' 1")			4,100 (13' 5")		
Arm length		1,900 (6' 3")	2,100 (6' 11")	2,500 (8' 2")	3,000 (9' 10")	1,900 (6' 3")	2,100 (6' 11")
A Max. digging reach	7,750 (25' 5")	7,920 (26' 0")	8,340 (27' 4")	8,800 (28' 10")	7,250 (23' 9")	7,420 (24' 4")	
A' Max. digging reach on ground	7,600 (24' 11")	7,780 (25' 6")	8,200 (26' 11")	8,670 (28' 5")	7,100 (23' 4")	7,270 (23' 10")	
B Max. digging depth	5,000 (16' 5")	5,200 (17' 1")	5,600 (18' 4")	6,100 (20' 0")	4,570 (15' 0")	4,770 (15' 8")	
B' Max. digging depth (8' level)	4,730 (15' 6")	4,950 (16' 3")	5,390 (17' 8")	5,910 (19' 5")	4,310 (14' 2")	4,520 (14' 10")	
C Max. vertical wall digging depth	4,460 (14' 8")	4,590 (15' 1")	5,120 (16' 10")	5,660 (18' 7")	4,090 (14' 5")	4,220 (13' 10")	
D Max. digging height	8,060 (26' 5")	8,140 (26' 8")	8,520 (27' 11")	8,730 (28' 8")	7,660 (25' 2")	7,730 (25' 4")	
E Max. dumping height	5,630 (18' 6")	5,710 (18' 9")	6,080 (19' 11")	6,280 (20' 7")	5,220 (17' 2")	5,290 (17' 4")	
F Min. swing radius	2,620 (8' 7")	2,680 (8' 10")	2,620 (8' 7")	2,660 (8' 9")	2,350 (7' 9")	2,470 (8' 1")	

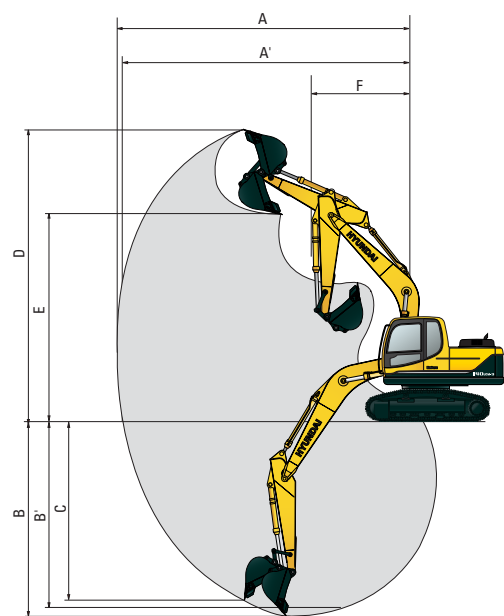
Dimensions & Working Range

R140LCM-9 DIMENSIONS



mm (ft-in)		mm (ft-in)				
A Tumbler distance	3,030 (9' 11")	Boom length	4,600 (15' 1")			
B Overall length of crawler	3,860 (12' 4")	Arm length	1,900 (6' 3")	2,100 (6' 11")	2,500 (8' 2")	3,000 (9' 10")
C Ground clearance of counterweight	1,195 (3' 11")	I Overall length	7,760 (25' 6")	7,810 (25' 7")	7,770 (25' 6")	7,810 (25' 7")
D Tail swing radius	2,310 (7' 7")	J Overall height of boom	2,740 (8' 12")	2,850 (9' 4")	2,810 (9' 3")	3,080 (10' 1")
D' Rear-end length	2,280 (7' 6")	K Track shoe width	800 (32")			
E Overall width of upperstructure	2,500 (8' 2")	L Overall width	2,840 (9' 4")			
F Overall height of cab	3,080 (10' 1")					
G Min. ground clearance	600 (2' 0")					
H Track gauge	2,040 (6' 8")					

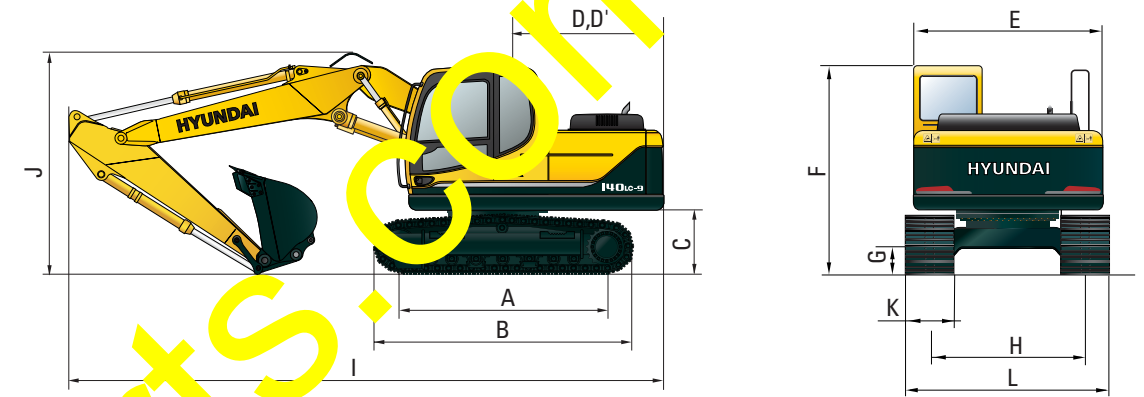
R140LCM-9 WORKING RANGE



	mm (ft-in)			
Boom length	4,600 (15' 1")			
Arm length	1,900 (6' 3")	2,100 (6' 11")	2,500 (8' 2")	3,000 (9' 10")
A Max. digging reach	7,750 (25' 5")	7,800 (25' 7")	8,300 (27' 4")	8,800 (28' 10")
A' Max. digging reach on ground	7,540 (24' 9")	7,720 (25' 4")	8,330 (27' 4")	8,600 (28' 3")
B Max. digging depth	4,700 (15' 5")	4,900 (16' 1")	5,300 (17' 5")	5,800 (19' 0")
B' Max. digging depth (8' level)	4,440 (14' 7")	4,650 (15' 3")	5,100 (16' 9")	5,620 (18' 5")
C Max. vertical wall digging depth	4,380 (14' 4")	4,310 (14' 2")	4,840 (15' 11")	5,380 (17' 8")
D Max. digging height	8,410 (27' 7")	8,410 (27' 7")	8,740 (28' 8")	9,010 (29' 7")
E Max. dumping height	5,900 (19' 4")	5,980 (19' 7")	6,300 (20' 8")	6,560 (21' 6")
F Min. swing radius	2,620 (8' 7")	2,680 (8' 10")	2,620 (8' 7")	2,660 (8' 9")

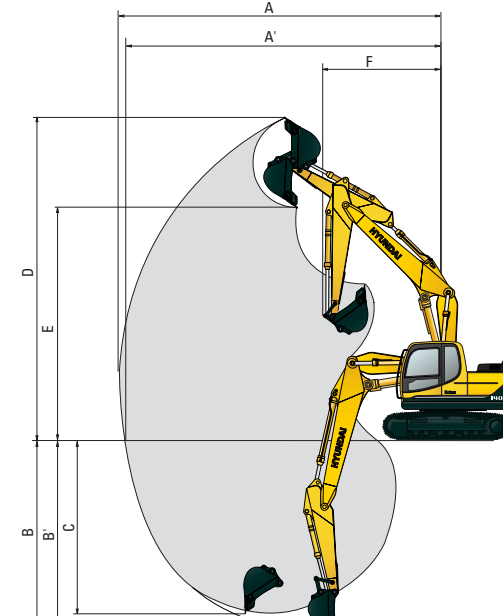
Dimensions & Working Range

R140LC-9 ADJUSTABLE BOOM DIMENSIONS



mm (ft-in)		mm (ft-in)			
A Tumbler distance	3,000 (9' 10")	Boom length	4,900 (16' 1"), Adjustable boom		
B Overall length of crawler	3,750 (12' 4")	Arm length	1,900 (6' 3")	2,100 (6' 11")	2,500 (8' 2")
C Ground clearance of counterweight	935 (3' 1")	I Overall length	8,140 (26' 8")	8,140 (26' 8")	8,120 (26' 8")
D Tail swing radius	2,310 (7' 7")	J Overall height of boom	2,820 (9' 3")	2,920 (9' 7")	2,940 (9' 8")
D' Rear-end length	2,280 (7' 6")	K Track shoe width	500 (20")	600 (24")	700 (28")
E Overall width of upperstructure	2,500 (8' 2")	L Overall width	2,500 (8' 2")	2,600 (8' 6")	2,700 (8' 10")
F Overall height of cab	2,820 (9' 3")				
G Min. ground clearance	440 (1' 5")				
H Track gauge	2,000 (6' 7")				

R140LC-9 ADJUSTABLE BOOM WORKING RANGE



	mm (ft-in)		
Boom length	4,900 (16' 1"), Adjustable boom		
Arm length	1,900 (6' 3")	2,100 (6' 11")	2,500 (8' 2")
A Max. digging reach	8,140 (26' 8")	8,310 (27' 3")	8,720 (28' 7")
A' Max. digging reach on ground	8,000 (26' 3")	8,180 (26' 10")	8,590 (28' 2")
B Max. digging depth	5,140 (16' 10")	5,340 (17' 6")	5,740 (18' 10")
B' Max. digging depth (8' level)	5,020 (16' 6")	5,220 (17' 2")	5,630 (18' 6")
C Max. vertical wall digging depth	4,380 (14' 4")	4,560 (15' 0")	5,000 (16' 5")
D Max. digging height	8,770 (28' 9")	8,870 (29' 1")	9,230 (30' 3")
E Max. dumping height	6,280 (20' 7")	6,390 (21' 0")	6,740 (22' 1")
F Min. swing radius	2,660 (8' 9")	2,800 (9' 2")	2,670 (8' 9")

Lifting Capacity

R140LC-9

Rating over-front Rating over-side or 360 degree

Boom : 4.6 m (15' 1") / Arm : 1.9 m (6' 3") / Bucket : 0.58 m³ (0.76 yd³) SAE heaped / Shoe : 600mm(24") triple grouser with 2,000kg (4,410 lb) counterweight

Load point height m (ft)		Load radius								At max. reach		
		1.5 m (5.0 ft)		3.0 m (10.0 ft)		4.5 m (15.0 ft)		6.0 m (20.0 ft)		Capacity		Reach m (ft)
6.0 m (20.0 ft)	kg lb					* 3340 * 7360	* 3340 * 7360			* 3170 * 6990	2350 5180	5.95 (19.5)
4.5 m (15.0 ft)	kg lb					* 3550 * 7830	* 3550 * 7830			2820 6220	1760 3880	6.90 (22.6)
3.0 m (10.0 ft)	kg lb			* 6270 * 13820	* 6270 * 13820	* 4440 * 9790	3510 7740	3480 7670	2170 4780	2480 5470	1520 3350	7.37 (24.2)
1.5 m (5.0 ft)	kg lb			* 8490 * 18720	6040 13320	5400 11900	3270 7210	3380 7450	2080 4590	2390 5270	1450 3200	7.45 (24.4)
	kg lb			* 8230 * 18140	5790 12760	5200 11460	3100 6830	3300 7280	2000 4410	2510 5530	1520 3350	7.17 (23.5)
(-1.5 m -5.0 ft)	kg lb	* 6670 * 14700	* 6670 * 14700	* 9690 * 21360	5800 12790	5140 11330	3050 6720			2960 6530	1810 3990	6.48 (21.3)
(-3.0 m -10.0 ft)	kg lb	* 10970 * 24180	* 10970 * 24180	* 8330 * 18360	5930 13070	5220 11510	3110 6860			* 3690 * 8140	2670 5890	5.15 (16.9)

Boom : 4.6 m (15' 1") / Arm : 2.5 m (8' 2") / Bucket : 0.58 m³ (0.76 yd³) SAE heaped / Shoe : 600mm(24") triple grouser with 2,000kg (4,410 lb) counterweight

Load point height m (ft)		Load radius								At max. reach		
		1.5 m (5.0 ft)		3.0 m (10.0 ft)		4.5 m (15.0 ft)		6.0 m (20.0 ft)		Capacity		Reach m (ft)
6.0 m (20.0 ft)	kg lb									* 2810 * 6190	1920 4230	6.69 (21.9)
4.5 m (15.0 ft)	kg lb							* 2770 * 6110	2270 5000	2440 5380	1500 3310	7.53 (24.7)
3.0 m (10.0 ft)	kg lb			* 4930 * 10870	* 4930 * 10870	* 3830 * 8440	3570 7870	* 3380 * 7450	2190 4830	2170 4780	1310 2890	7.95 (26.1)
1.5 m (5.0 ft)	kg lb			* 8030 * 17700	6240 13760	* 5010 * 11050	3300 7280	3380 7450	2070 4560	2100 4630	1250 2760	8.03 (26.3)
	kg lb			* 8780 * 19360	5800 12790	5200 11460	3090 6810	3270 7210	1970 4340	2180 4810	1300 2870	7.77 (25.5)
(-1.5 m -5.0 ft)	kg lb	* 5740 * 12650	* 5740 * 12650	* 9910 * 21850	5700 12570	5080 11200	2990 6590	3220 7100	1920 4230	2500 5510	1500 3310	7.15 (23.5)
(-3.0 m -10.0 ft)	kg lb	* 8760 * 19310	* 8760 * 19310	* 9040 * 19930	5770 12720	5100 11240	3000 6610			3340 7360	2030 4480	6.01 (19.7)
(-4.5 m -15.0 ft)	kg lb			* 6590 * 14530	6030 13290							

Boom : 4.6 m (15' 1") / Arm : 3.0 m (9' 10") / Bucket : 0.58 m³ (0.76 yd³) SAE heaped / Shoe : 600mm(24") triple grouser with 2,000kg (4,410 lb) counterweight

Load point height m (ft)		Load radius										At max. reach		
		1.5 m (5.0 ft)		3.0 m (10.0 ft)		4.5 m (15.0 ft)		6.0 m (20.0 ft)		7.5 m (25.0 ft)		Capacity		Reach m (ft)
6.0 m (20.0 ft)	kg lb							* 1880 * 4140	* 1880 * 4140			* 2540 * 5600	1650 3640	7.25 (23.8)
4.5 m (15.0 ft)	kg lb							* 2570 * 5670	2310 5090			2180 4810	1320 2910	8.02 (26.3)
3.0 m (10.0 ft)	kg lb					* 3280 * 7230	* 3280 * 7230	* 3020 * 6660	2210 4870	* 1660 * 3650	1430 3150	1960 4320	1160 2560	8.41 (27.6)
1.5 m (5.0 ft)	kg lb			* 6980 * 15390	6440 14200	* 4540 * 10010	3350 7390	3400 7500	2060 4590	* 2120 * 4830	1380 3040	1890 4170	1100 2430	8.49 (27.9)
Ground Line	kg lb			* 9240 * 20370	5850 12900	5210 11490	3100 6830	3260 7190	1960 4320	* 2120 * 4670	1330 2930	1960 4320	1140 2510	8.25 (27.1)
(-1.5 m -5.0 ft)	kg lb	* 5290 * 11660	* 5290 * 11660	* 9910 * 21850	5650 12460	5060 11160	2960 6530	3180 7100	1890 4170			2200 4850	1290 2840	7.67 (25.2)
(-3.0 m -10.0 ft)	kg lb	* 7720 * 17020	* 7720 * 17020	* 9440 * 20810	5670 12500	5030 11090	2940 6470	1800 4100				2800 6170	1680 3700	6.64 (21.8)
(-4.5 m -15.0 ft)	kg lb	* 11300 * 24910	* 11300 * 24910	* 7670 * 16910	5850 12900	* 4890 * 10780	3050 6720							

- Lifting capacity is based on SAE J1097, ISO 10567.
- Lifting capacity of the Robex Series does not exceed 75% of the tipping load with the machine on firm, level ground or 87% of full hydraulic capacity.
- The load point is a hook located on the back of the bucket.
- (*) indicates the load limited by hydraulic capacity.

Lifting Capacity

R140LCD-9

Rating over-front Rating over-side or 360 degree

Boom : 4.6 m (15' 1") / Arm : 1.9 m (6' 3") / Bucket : 0.58 m³ (0.76 yd³) SAE heaped / Shoe : 600mm(24") triple grouser with 2,000kg (4,410 lb) counterweight

Load point height m (ft)		Load radius								At max. reach		
		1.5 m (5.0 ft)		3.0 m (10.0 ft)		4.5 m (15.0 ft)		6.0 m (20.0 ft)		Capacity		Reach m (ft)
6.0 m (20.0 ft)	kg lb					* 3340 * 7360	* 3340 * 7360			* 3170 * 6990	2350 5180	5.95 (19.5)
4.5 m (15.0 ft)	kg lb					* 3550 * 7830	* 3550 * 7830			2820 6220	1760 3880	6.90 (22.6)
3.0 m (10.0 ft)	kg lb			* 6270 * 13820	* 6270 * 13820	* 4440 * 9790	3510 7740	3480 7670	2170 4780	2480 5470	1520 3350	7.37 (24.2)
1.5 m (5.0 ft)	kg lb			* 8490 * 18720	6040 13320	5400 11900	3270 7210	3380 7450	2080 4590	2390 5270	1450 3200	7.45 (24.4)
	kg lb			* 8230 * 18140	5790 12760	5200 11460	3100 6830	3300 7280	2000 4410	2510 5530	1520 3350	7.17 (23.5)
(-1.5 m -5.0 ft)	kg lb	* 6670 * 14700	* 6670 * 14700	* 9690 * 21360	5800 12790	5140 11330	3050 6720			2960 6530	1810 3990	6.48 (21.3)
(-3.0 m -10.0 ft)	kg lb	* 10970 * 24180	* 10970 * 24180	* 8330 * 18360	5930 13070	5220 11510	3110 6860			* 3690 * 8140	2670 5890	5.15 (16.9)

Boom : 4.6 m (15' 1") / Arm : 2.5 m (8' 2") / Bucket : 0.58 m³ (0.76 yd³) SAE heaped / Shoe : 600mm(24") triple grouser with 2,000kg (4,410 lb) counterweight

Load point height m (ft)		Load radius								At max. reach		
		1.5 m (5.0 ft)		3.0 m (10.0 ft)		4.5 m (15.0 ft)		6.0 m (20.0 ft)		Capacity		Reach m (ft)
6.0 m (20.0 ft)	kg lb									* 2810 * 6190	1920 4230	6.69 (21.9)
4.5 m (15.0 ft)	kg lb							* 2770 * 6110	2270 5000	2440 5380	1500 3310	7.53 (24.7)
3.0 m (10.0 ft)	kg lb			* 4930 * 10870	* 4930 * 10870	* 3830 * 8440	3570 7870	* 3380 * 7450	2190 4830	2170 4780	1310 2890	7.95 (26.1)
1.5 m (5.0 ft)	kg lb			* 8030 * 17700	6240 13760	* 5010 * 11050	3300 7280	3380 7450	2070 4560	2100 4630	1250 2760	8.03 (26.3)
	kg lb			* 8780 * 19360	5800 12790	5200 11460	3090 6810	3270 7210	1970 4340	2180 4810	1300 2870	7.77 (25.5)
(-1.5 m -5.0 ft)	kg lb	* 5740 * 12650	* 5740 * 12650	* 9910 * 21850	5700 12570	5080 11200	2990 6590	3220 7100	1920 4230	2500 5510	1500 3310	7.15 (23.5)
(-3.0 m -10.0 ft)	kg lb	* 8760 * 19310	* 8760 * 19310	* 9040 * 19930	5770 12720	5100 11240	3000 6610			3340 7360	2030 4480	6.01 (19.7)
(-4.5 m -15.0 ft)	kg lb			* 6590 * 14530	6030 13290							

Boom : 4.6 m (15' 1") / Arm : 3.0 m (9' 10") / Bucket : 0.58 m³ (0.76 yd³) SAE heaped / Shoe : 600mm(24") triple grouser with 2,000kg (4,410 lb) counterweight

Load point height m (ft)		Load radius										At max. reach		
		1.5 m (5.0 ft)		3.0 m (10.0 ft)		4.5 m (15.0 ft)		6.0 m (20.0 ft)		7.5 m (25.0 ft)		Capacity		Reach m (ft)
6.0 m (20.0 ft)	kg lb							* 1880 * 4140	* 1880 * 4140			* 2540 * 5600	1760 3880	7.25 (23.8)
4.5 m (15.0 ft)	kg lb							* 2570 * 5670	2440 5380			2380 5250	1410 3110	8.02 (26.3)
3.0 m (10.0 ft)	kg lb					* 3280 * 7230	* 3280 * 7230	* 3020 * 6660	2250 4870	* 1660 * 3660	1540 3400	2150 4740	1250 2760	8.41 (27.6)
1.5 m (5.0 ft)	kg lb			* 6980 * 15390	6780 14950	* 4540 * 10010	3350 7390	3400 7500	2060 4590	* 2120 * 4830	1380 3040	1890 4170	1100 2430	8.49 (27.9)
Ground Line	kg lb			* 9240 * 20370	5850 12900	5210 11490	3100 6830	3260 7190	1960 4320	* 2120 * 4670	1480 3150	2150 4740	1230 2710	8.25 (27.1)
(-1.5 m -5.0 ft)	kg lb	* 5290 * 11660	* 5290 * 11660	* 9910 * 21850	5990 13210	5500 12130	3150 6940	3480 7670	2020 4450			2410 5310	1390 3060	7.67 (25.2)
(-3.0 m -10.0 ft)	kg lb	* 7720 * 17020	* 7720 * 17020	* 9440 * 20810	5670 12500	5030 11090	2940 6470	1800 4100				3060 6750	1800 3970	6.64 (21.8)
(-4.5 m -15.0 ft)	kg lb	* 11300 * 24910	* 11300 * 24910	* 7670 * 16910	5850 12900	* 4890 * 10780	3050 6720							

- Lifting capacity is based on SAE J1097, ISO 10567.
- Lifting capacity of the Robex Series does not exceed 75% of the tipping load with the machine on firm, level ground or 87% of full hydraulic capacity.
- The load point is a hook located on the back of the bucket.
- (*) indicates the load limited by hydraulic capacity.

Lifting Capacity

R140LCM-9

Rating over-front Rating over-side or 360 degree

Boom : 4.6 m (15' 1") / Arm : 1.9 m (6' 3") / Bucket : 0.58 m³ (0.76 yd³) SAE heaped / Shoe : 800mm(32") triple grouser with 2,000kg (4,410 lb) counterweight

Load point height m (ft)		Load radius								At max. reach		
		1.5 m (5.0 ft)		3.0 m (10.0 ft)		4.5 m (15.0 ft)		6.0 m (20.0 ft)		Capacity		Reach m (ft)
6.0 m (20.0 ft)	kg lb					* 3310 * 7300	* 3310 * 7300			* 3180 * 7010	2610 5750	6.16 (20.2)
4.5 m (15.0 ft)	kg lb					* 3670 * 8090	* 3670 * 8090	* 2830 * 6240	2640 5820	3200 7050	2050 4520	7.01 (23.0)
3.0 m (10.0 ft)	kg lb			* 6820 * 15040	* 6820 * 15040	* 4620 * 10190	4090 9020	* 3860 * 8510	2580 5690	2880 6350	1820 4010	7.41 (24.3)
1.5 m (5.0 ft)	kg lb			* 7800 * 17200	7120 15700	* 5680 * 12520	3850 8490	3930 8660	2480 5470	2820 6220	1770 3900	7.43 (24.4)
Ground Line	kg lb			* 8700 * 19180	6940 15300	6050 13340	3700 8160	3850 8490	2410 5310	3020 6660	1890 4170	7.09 (23.3)
(-1.5 m -5.0 ft)	kg lb	* 7330 * 16160	* 7330 * 16160	* 9540 * 21030	6960 15340	6010 13250	3670 8090			3630 8000	2290 5050	6.31 (20.7)
(-3.0 m -10.0 ft)	kg lb			* 7950 * 17530	7130 15720	* 5200 * 11460	3760 8290					

Boom : 4.6 m (15' 1") / Arm : 2.5 m (8' 3") / Bucket : 0.58 m³ (0.76 yd³) SAE heaped / Shoe : 800mm(32") triple grouser with 2,000kg (4,410 lb) counterweight

Load point height m (ft)		Load radius								At max. reach		
		1.5 m (5.0 ft)		3.0 m (10.0 ft)		4.5 m (15.0 ft)		6.0 m (20.0 ft)		Capacity		Reach m (ft)
6.0 m (20.0 ft)	kg lb									* 2830 * 6240	2180 4810	6.87 (22.5)
4.5 m (15.0 ft)	kg lb					* 3040 * 6700	* 3040 * 6700	* 2930 * 6460	2690 5930	2790 6150	1770 3900	7.63 (25.0)
3.0 m (10.0 ft)	kg lb			* 5460 * 12040	* 5460 * 12040	* 4030 * 8880	* 4030 * 8880	* 3470 * 7650	2590 5710	2540 5600	1590 3510	7.99 (26.2)
1.5 m (5.0 ft)	kg lb			* 8460 * 18650	7290 16070	* 5200 * 11460	3880 8550	3930 8660	2480 5470	2490 5490	1540 3400	8.01 (26.3)
Ground Line	kg lb	* 3600 * 7940	* 3600 * 7940	* 8880 * 19580	6920 15260	6030 13290	3680 8110	3820 8420	2380 5250	2630 5800	1630 3590	7.70 (25.3)
(-1.5 m -5.0 ft)	kg lb	* 6200 * 13670	* 6200 * 13670	* 9840 * 21690	6850 15100	3600 13100	5940 7940	3600 8330	2340 5160	3050 6720	1900 4190	7.00 (23.0)
(-3.0 m -10.0 ft)	kg lb	* 9390 * 20700	* 9390 * 20700	* 8770 * 19330	6960 15340	* 5760 * 12700	3640 8020			* 3520 * 7760	2650 5840	5.74 (18.8)

Boom : 4.6 m (15' 1") / Arm : 3.0 m (9' 10") / Bucket : 0.58 m³ (0.76 yd³) SAE heaped / Shoe : 800mm(32") triple grouser with 2,000kg (4,410 lb) counterweight

Load point height m (ft)		Load radius										At max. reach		
		1.5 m (5.0 ft)		3.0 m (10.0 ft)		4.5 m (15.0 ft)		6.0 m (20.0 ft)		7.5 m (25.0 ft)		Capacity		Reach m (ft)
6.0 m (20.0 ft)	kg lb							* 2060 * 4540	* 2060 * 4540			* 1550 * 3520	1900 4190	7.41 (24.3)
4.5 m (15.0 ft)	kg lb							* 2660 * 5860	* 2660 * 5860			* 2510 * 5530	1570 3460	8.11 (26.6)
3.0 m (10.0 ft)	kg lb					* 3480 * 7670	* 3480 * 7670	* 3120 * 6880	2610 5750	* 1790 * 3950	1740 3840	2300 5070	1420 3130	8.45 (27.7)
1.5 m (5.0 ft)	kg lb			* 7490 * 16510	7480 16490	* 4750 * 10470	3920 8640	* 3710 * 8180	2480 5470	* 2240 * 4920	1690 3730	2250 4960	1380 3040	8.47 (27.8)
Ground Line	kg lb	* 3650 * 8050	* 3650 * 8050	* 9450 * 20830	6950 15320	* 5770 * 12720	3680 8110	3810 8400	1990 5200	1640 3620	2360 5200	1440 3170	8.18 (26.8)	
(-1.5 m -5.0 ft)	kg lb	* 5660 * 12480	* 5660 * 12480	* 9900 * 21830	6800 14990	5900 13010	3560 7850	3740 8250	2300 5070		2680 5910	1650 3640	7.53 (24.7)	
(-3.0 m -10.0 ft)	kg lb	* 8220 * 18120	* 8220 * 18120	* 9250 * 20390	6840 15080	5900 13010	3560 7850	3740 8250	2300 5070		* 3380 * 7450	2180 4810	6.40 (21.0)	
(-4.5 m -15.0 ft)	kg lb			* 7160 * 15790	7060 15560	* 4420 * 9740	3710 8180							

- Lifting capacity is based on SAE J1097, ISO 10567.
- Lifting capacity of the Robex Series does not exceed 75% of the tipping load with the machine on firm, level ground or 87% of full hydraulic capacity.
- The load point is a hook located on the back of the bucket.
- (*) indicates the load limited by hydraulic capacity.

Lifting Capacity

R140LC-9 ADJUSTABLE BOOM

Rating over-front Rating over-side or 360 degree

Boom : 4.9 m (16' 1") / Arm : 1.9 m (6' 3") / Bucket : 0.58 m³ (0.76 yd³) SAE heaped / Shoe : 600mm(24") triple grouser with 2,000kg (4,410 lb) counterweight

Load point height m (ft)		Load radius						At max. reach				
		3.0 m (10.0 ft)		4.5 m (15.0 ft)		6.0 m (20.0 ft)		Capacity		Reach m (ft)		
6.0 m (20.0 ft)	kg lb					* 2900 * 6350	* 2900 * 6350			* 2880 * 6350	2010 4430	6.45 (21.2)
4.5 m (15.0 ft)	kg lb					* 3280 * 7230	* 3280 * 7230	* 3150 * 6940	2220 4890	2530 5580	1540 3400	7.33 (24.0)
3.0 m (10.0 ft)	kg lb	* 6420 * 14150	* 6420 * 14150	* 5230 * 11450	* 4620 * 10150	3440 7580	3470 7650	2130 4700	2240 4940	1340 2950	1340 2950	7.76 (25.5)
1.5 m (5.0 ft)	kg lb			* 5310 * 11710	3160 6970	3340 7360	2020 4450	2170 4780	1280 2820	1280 2820	1280 2820	7.84 (25.7)
Ground Line	kg lb	* 5430 * 11970	* 5430 * 11970	* 5110 * 11270	2980 6570	3240 7140	1930 4250	2270 5000	1340 2950	1340 2950	1340 2950	7.58 (24.9)
(-1.5 m -5.0 ft)	kg lb	* 9210 * 20300	* 9210 * 20300	* 5620 * 12350	5050 11130	2940 6480	3220 7100	1900 4190	2630 5800	1570 3460	1570 3460	6.93 (22.7)
(-3.0 m -10.0 ft)	kg lb	* 8450 * 18650	* 8450 * 18650	* 5700 * 12540	5130 11310	3000 6610						

Boom : 4.9 m (16' 1") / Arm : 2.1 m (6' 11") / Bucket : 0.58 m³ (0.76 yd³) SAE heaped / Shoe : 600mm(24") triple grouser with 2,000kg (4,410 lb) counterweight

Load point height m (ft)		Load radius						At max. reach				
		3.0 m (10.0 ft)		4.5 m (15.0 ft)		6.0 m (20.0 ft)		Capacity		Reach m (ft)		
6.0 m (20.0 ft)	kg lb					* 2690 * 5930	* 2690 * 5930			* 2760 * 6080	1900 4190	6.68 (21.9)
4.5 m (15.0 ft)	kg lb					* 3080 * 6790	* 3080 * 6790	* 2990 * 6590	2230 4920	2420 5340	1470 3240	7.52 (24.7)
3.0 m (10.0 ft)	kg lb	* 5930 * 13070	* 5930 * 13070	* 4030 * 8880	3460 7630	* 3360 * 7410	2140 4720	2150 4740	1280 2820	1280 2820	1280 2820	7.94 (26.0)
1.5 m (5.0 ft)	kg lb			* 5140 * 11330	3160 6970	3340 7360	2010 4430	2080 4590	1220 2690	1220 2690	1220 2690	8.02 (26.3)
Ground Line	kg lb	* 5690 * 12540	* 5690 * 12540	* 5090 * 11220	2960 6530	3230 7120	1910 4210	2170 4780	1270 2800	1270 2800	1270 2800	7.77 (25.5)
(-1.5 m -5.0 ft)	kg lb	* 8930 * 19690	* 8930 * 19690	* 5560 * 12260	5020 11070	2900 6390	3190 7030	1870 4120	2490 5490	1470 3240	1470 3240	7.14 (23.4)
(-3.0 m -10.0 ft)	kg lb	* 8650 * 19070	* 8650 * 19070	* 5690 * 12540	5070 11180	2950 6500						

Boom : 4.9 m (16' 1") / Arm : 2.5 m (8' 2") / Bucket : 0.58 m³ (0.76 yd³) SAE heaped / Shoe : 600mm(24") triple grouser with 2,000kg (4,410 lb) counterweight

Load point height m (ft)		Load radius										At max. reach		
		1.5 m (5.0 ft)		3.0 m (10.0 ft)		4.5 m (15.0 ft)		6.0 m (20.0 ft)		7.5 m (25.0 ft)		Capacity		Reach m (ft)
6.0 m (20.0 ft)	kg lb									* 2250 * 4960	* 2250 * 4960	* 2570 * 5670	1660 3660	7.18 (23.6)
4.5 m (15.0 ft)	kg lb							* 2700 * 5950	* 2700 * 5950	* 2710 * 5970	2270 5000	2190 4830	1310 2890	7.96 (26.1)
3.0 m (10.0 ft)	kg lb					* 5070 * 11180	* 5070 * 11180	* 3660 * 8070	3520 7760	* 3120 * 6880	2160 4760	* 1900 * 4190	1400 3090	8.35 (27.4)
1.5 m (5.0 ft)	kg lb			* 7220 * 15920	5960 13140	* 4830 * 10650	3200 7050	3350 7390	2020 4450	2300 5070	1350 2980	1900 4190	1100 2430	8.43 (27.7)
Ground Line	kg lb	* 6040 * 13320	* 6040 * 13320	* 5560 * 12260	5100 11240	2970 6550	3220 7100	1900 4190	2250 4960	1310 2890	1980 4370	1140 2510	8.19 (26.9)	
(-1.5 m -5.0 ft)	kg lb	* 4680 * 10320	* 4680 * 10320	* 8220 * 18120	5510 12150	4990 11000	2880 6350	3160 6970	1850 4080	2230 4920	1300 2870	1100 2430	7.60 (24.9)	
(-3.0 m -10.0 ft)	kg lb			* 9010 * 19860	5600 12350	5010 11050	2900 6390	3190 7030	1870 4120					

- Lifting capacity is based on SAE J1097, ISO 10567.
- Lifting capacity of the Robex Series does not exceed 75% of the tipping load with the machine on firm, level ground or 87% of full hydraulic capacity.
- The load point is a hook located on the back of the bucket.
- (*) indicates the load limited by hydraulic capacity.